

135 P

Excavator



JOHN DEERE





135 P-TIER EXCAVATOR

SIZABLE SOLUTION FOR REAL-WORLD ACTION

Whether your work is in urban renewal, underground utilities, or street repair, the John Deere 135 P-Tier Excavator is purpose-built to deliver legendary performance. Reduced-tail-swing design, ease of operation, and proven components are just a few of the customer-inspired details that have earned this mid-size muscle a well-deserved reputation in the industry and on jobsites just like yours. Plus a versatile range of production-boosting optional advantages like a durable backfill blade will help you realize all the tasks you can complete in your corner of the work world.

FEATURES



Dial it up

Multi-language LCD monitor and rotary dial provide intuitive access to a wealth of information and functions. Just turn and tap to select work mode, access operating info, check maintenance intervals, source diagnostic codes, adjust cab temperature, and tune the radio. Plus much more.

Close-quarter specialist

Maneuverable reduced-tail-swing model fits in tight or crowded spaces, minimizing the risk of damage to the machine or your surroundings. Optional rubber crawler pad helps cushion impact to concrete or asphalt when working on street repairs or in residential areas.

Put technology to work

John Deere Powerwise Plus™ technology delivers on-demand power. Precise pump flow when pilot controls are metered provides reliable, fuel-efficient machine performance.

Take control

Ergonomically correct short-throw pilot levers enable smooth, predictable fingertip control with less movement or effort. Sliding switch allows proportional speed control, for easy fingertip command of standard auxiliary hydraulics, maximizing machine versatility.

See it like never before

Integrated into the main monitor, optional right rear left camera system with additional LED surround lighting work together to supplement 270-degree visibility of the area around the machine, even in low-light conditions.



**REDUCED-
TAIL-SWING**
MODEL EASILY FITS IN

Comfort in the cab

Spacious and well-appointed cab features standard rearview camera for enhanced awareness. Sculpted mechanical-suspension high-back seat slides together or independent of the joystick console to help keep operators comfortably supported.

Do more with one

Optional backfill blade enhances machine stability and eliminates the need for extra equipment.

Added leverage

When the going gets tough, simply press the standard power-boost button on the right-hand control and muscle through.

DPF no more

Efficient Isuzu engine burns particulate matter in the cylinder during combustion, eliminating ash-service intervals and regenerations, for EPA Final Tier 4/EU Stage IV aftertreatment without the need for a diesel particulate filter (DPF).

You'll be a fan

Highly efficient heavy-duty cooling system keeps things cool, even in tough environments or high altitudes. Cool-on-demand suction-type fan helps reduce material buildup and maintenance.

Uptime optimizers

Vertical spin-on fuel and engine oil filters are positioned for streamlined maintenance. Grouped service points and fluid-level sight gauges ease routine checks. Battery-disconnect switch in the rear door behind the cab helps extend battery life.



135 P-TIER EXCAVATOR



OPTIONAL BACKFILL BLADE BOOSTS VERSATILITY

Precision Construction

This suite of construction technology delivers **Productivity Solutions** to help you get more done, more efficiently. In-base JDLink™ connectivity provides machine location, utilization data, and alerts to help you maximize productivity and efficiency. To maximize uptime and lower costs, JDLink also enables **John Deere Connected Support™**. Dealers use Expert Alerts based on data from thousands of connected machines to proactively address conditions that may otherwise likely lead to downtime. Your dealer can also monitor machine health and leverage remote diagnostics and programming capability to further diagnose problems and even update machine software without a time-consuming trip to the jobsite.*

*Availability varies by region. Options not available in every country.





While general information, pictures, and descriptions are provided, some illustrations and text may include product options and accessories NOT AVAILABLE in all regions, and in some countries products and accessories may require modifications or additions to ensure compliance with the local regulations of those countries.

Engine	135 P-TIER		
	<i>Base engine for use in the U.S., U.S. Territories, and Canada</i>		
Manufacturer and Model	Isuzu 4JJ1		
Non-Road Emission Standard	EPA Final Tier 4/EU Stage IV		
Net Rated Power (ISO 9249)	75 kW (101 hp) at 2,000 rpm		
Cylinders	4		
Displacement	3.0 L (182 cu. in.)		
Off-Level Capacity	70% (35 deg.)		
Aspiration	Turbocharged, air-to-air charge-air cooler		
Cooling	Direct-drive suction-type fan		
Powertrain	2-speed propel with automatic shift		
Maximum Travel Speed			
Low	3.4 km/h (2.1 mph)		
High	5.5 km/h (3.4 mph)		
Drawbar Pull	11 217 kg (24,729 lb.)		
Hydraulics	Open center, pilot operated		
Main Pumps	2 variable-displacement axial-piston pumps		
Maximum Rated Flow	105 L/m (28 gpm) x 2		
Pilot Pump	1 gear		
Maximum Rated Flow	32.9 L/m (8.7 gpm)		
Pressure Setting	3930 kPa (570 psi)		
System Operating Pressure	Circuits		
Implement	34 300 kPa (4,975 psi)		
Travel	34 800 kPa (5,047 psi)		
Swing	32 300 kPa (4,685 psi)		
Power Boost	36 300 kPa (5,265 psi)		
Controls	Pilot levers, short stroke, low-effort hydraulic pilot controls with shutoff lever		
Cylinders	<i>Bore</i>	<i>Rod Diameter</i>	<i>Stroke</i>
Boom (2)	105 mm (4.13 in.)	70 mm (2.76 in.)	941 mm (37.05 in.)
Arm (1)	115 mm (4.53 in.)	80 mm (3.15 in.)	1135 mm (44.69 in.)
Bucket (1)	100 mm (3.94 in.)	70 mm (2.76 in.)	875 mm (34.45 in.)
Electrical	Number of Batteries (12 volt)		
	2		
Battery Capacity	300 CCA		
Alternator Rating	50 amp		
Work Lights	2 LED (1 mounted on boom, 1 on frame)		
Undercarriage	Rollers (per side)		
Carrier	1		
Track	7		
Shoes (per side)	44		
Track	Adjustment		
	Hydraulic		
Guides	Front idler		
Chain	Sealed and lubricated		

135 P-TIER EXCAVATOR SPECIFICATIONS

135

P

While general information, pictures, and descriptions are provided, some illustrations and text may include product options and accessories NOT AVAILABLE in all regions, and in some countries products and accessories may require modifications or additions to ensure compliance with the local regulations of those countries.

Ground Pressure	135 P-TIER	
	Without Blade	With Blade
Rubber Crawler Pad, 500 mm (20 in.) Triple Semi-Grouser Shoes	43 kPa (6.24 psi)	46 kPa (6.67 psi)
600 mm (24 in.)	37 kPa (5.37 psi)	39 kPa (5.66 psi)
700 mm (28 in.)	32 kPa (4.64 psi)	34 kPa (4.93 psi)

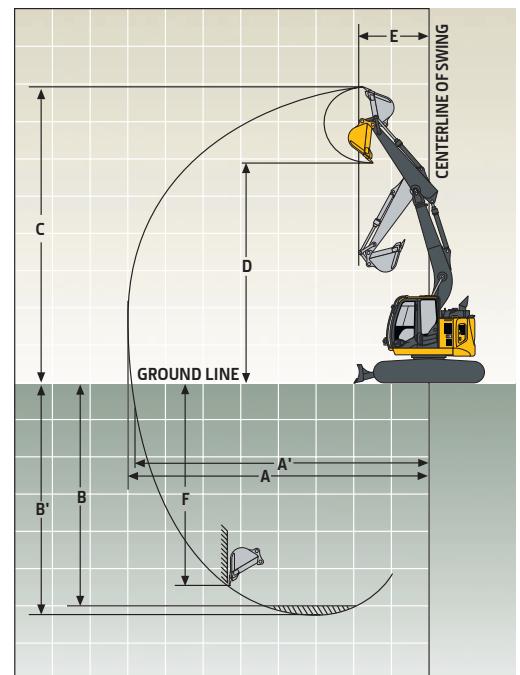
Swing Mechanism	
Speed	13.3 rpm
Torque	34 000 Nm (25,000 lb.-ft.)

Serviceability		
Refill Capacities	Refill Capacities (continued)	
Fuel Tank	220 L (58 gal.)	
Cooling System	21 L (22.2 qt.)	
Engine Oil With Filter	17 L (18 qt.)	
Hydraulic Tank	60 L (15.9 gal.)	
Hydraulic System	125 L (33 gal.)	
	Gearbox	
	Swing	3 L (3.2 qt.)
	Propel (each)	4 L (4.2 qt.)
	Diesel Exhaust Fluid (DEF) Tank	12 L (12.7 qt.)

Operating Weights		
With full fuel tank; 79-kg (175 lb.) operator; 914-mm (36 in.), 0.5-m ³ (0.65 cu. yd.), 414-kg (913 lb.) general-purpose bucket; 3.01-m (9 ft. 11 in.) arm; and 3650-kg (8,047 lb.) counterweight		
Operating Weights	Without Blade	With Blade
Rubber Crawler Pad, 500 mm (20 in.) Triple Semi-Grouser Shoes	13 900 kg (30,644 lb.)	14 900 kg (32,849 lb.)
600 mm (24 in.)	14 100 kg (31,085 lb.)	15 100 kg (33,290 lb.)
700 mm (28 in.)	14 300 kg (31,526 lb.)	15 400 kg (33,951 lb.)

Optional Components		
Undercarriage		
Rubber Crawler Pad, 500 mm (20 in.) Triple Semi-Grouser Shoes	4210 kg (9,281 lb.)	5247 kg (11,568 lb.)
600 mm (24 in.)	4436 kg (9,780 lb.)	5473 kg (12,066 lb.)
700 mm (28 in.)	4628 kg (10,203 lb.)	5701 kg (12,569 lb.)
1-Piece Boom (with arm cylinder)	995 kg (2,194 lb.)	995 kg (2,194 lb.)
3.01-m (9 ft. 11 in.) Arm With Bucket Cylinder and Linkage	663 kg (1,462 lb.)	663 kg (1,462 lb.)
Boom-Lift Cylinders (2), Total Weight	232 kg (511 lb.)	232 kg (511 lb.)

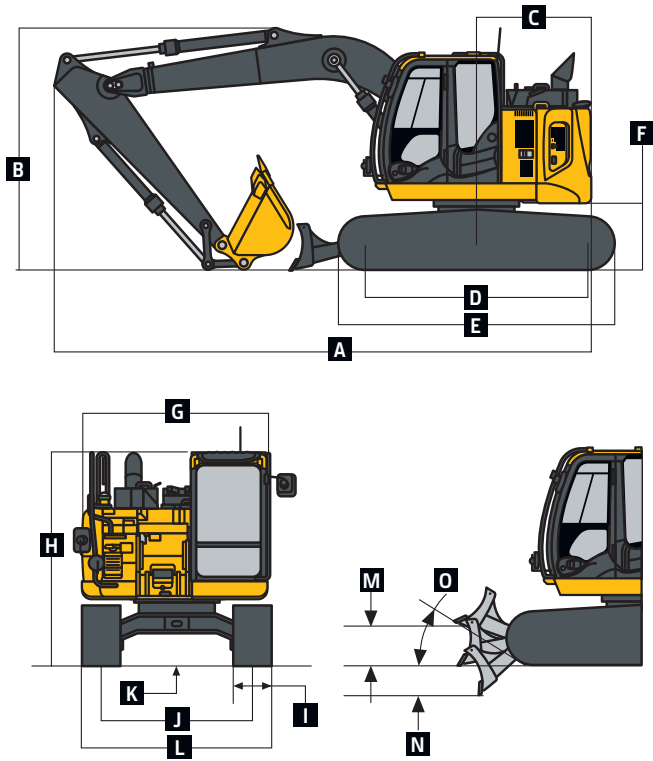
Operating Dimensions		
Arm Length	3.01 m (9 ft.11 in.)	
Arm Digging Force		
SAE	60 kN (13,490 lb.)	
ISO	61 kN (13,710 lb.)	
Bucket Digging Force		
SAE	91 kN (20,460 lb.)	
ISO	104 kN (23,380 lb.)	
A	Maximum Reach	8.86 m (29 ft. 2 in.)
A'	Maximum Reach at Ground Level	8.72 m (28 ft. 4 in.)
B	Maximum Digging Depth	5.98 m (20 ft. 0 in.)
B'	Maximum Digging Depth at 2.44-m (8 ft. 0 in.) Flat Bottom	5.79 m (19 ft. 2 in.)
C	Maximum Cutting Height	9.69 m (31 ft. 8 in.)
D	Maximum Dumping Height	7.22 m (23 ft. 4 in.)
E	Minimum Swing Radius	2.45 m (8 ft. 4 in.)
F	Maximum Vertical Wall	5.19 m (16 ft. 8 in.)



135 P-TIER

While general information, pictures, and descriptions are provided, some illustrations and text may include product options and accessories NOT AVAILABLE in all regions, and in some countries products and accessories may require modifications or additions to ensure compliance with the local regulations of those countries.

Machine Dimensions	135 P-TIER
Arm Length	3.01 m (9 ft. 11 in.)
A Overall Length	7.39 m (24 ft. 3 in.)
B Overall Height	2.78 m (9 ft. 1 in.)
C Rear-End Length/Swing Radius	1.49 m (4 ft. 11 in.)
D Distance Between Idler/Sprocket Centerline	2.88 m (9 ft. 5 in.)
E Undercarriage Length	3.58 m (11 ft. 9 in.)
F Counterweight Clearance	840 mm (33 in.)
G Upperstructure Width	2.48 m (8 ft. 2 in.)
H Cab Height	2.87 m (9 ft. 5 in.)
I Track Width	
With Rubber Crawler Pad	500 mm (20 in.)
With Triple-Semi Grouser Shoes	600 mm (24 in.) / 700 mm (28 in.)
J Gauge Width	1.99 m (6 ft. 6 in.)
K Ground Clearance	410 mm (16 in.)
L Overall Width	
Rubber Crawler Pad, 500 mm (20 in.)	2.49 m (8 ft. 2 in.)
Triple Semi-Grouser Shoes	
600 mm (24 in.)	2.59 m (8 ft. 6 in.)
700 mm (28 in.)	2.69 m (8 ft. 10 in.)
M Blade Lift Height	460 mm (18 in.)
N Blade Cut Below Grade	540 mm (21 in.)
O Blade Lift Angle	28.5 deg.
Blade	
Length	2.51 m (8 ft. 3 in.)
Height	460 mm (18 in.)
Width	
Rubber Crawler Pad, 500 mm (20 in.)	2490 mm (8 ft. 2 in.)
Triple Semi-Grouser Shoes	
600 mm (24 in.)	2490 mm (8 ft. 2 in.)
700 mm (28 in.)	2690 mm (8 ft. 10 in.)



While general information, pictures, and descriptions are provided, some illustrations and text may include product options and accessories NOT AVAILABLE in all regions, and in some countries products and accessories may require modifications or additions to ensure compliance with the local regulations of those countries.

135 P-TIER

Lift Capacities 135 P-TIER

Boldface type indicates hydraulically limited capacity; **lightface type** indicates stability-limited capacities, in kg (lb.). All lift capacities are based on ISO 10567 (with power boost). Machine equipped with standard counterweight and situated on firm, level, uniform supporting surface. Total load includes weight of cables, hook, etc. Figures do not exceed 87 percent of hydraulic capacities or 75 percent of weight needed to tip machine.

LOAD POINT HEIGHT		HORIZONTAL DISTANCE FROM CENTERLINE OF ROTATION									
		1.5 m (5 ft.)		3.0 m (10 ft.)		4.5 m (15 ft.)		6.0 m (20 ft.)		7.5 m (25 ft.)	
		Over Front	Over Side	Over Front	Over Side	Over Front	Over Side	Over Front	Over Side	Over Front	Over Side
<i>With 3.01-m (9 ft. 11 in.) arm and 500-mm (20 in.) rubber crawler pad, blade on ground, less bucket</i>											
6.0 m (20 ft.)						3120 (6,920)	3120 (6,920)				
4.5 m (15 ft.)						3410 (7,450)	3410 (7,450)	3320 (7,160)	2450 (5,280)		
3.0 m (10 ft.)				5240 (10,980)	5240 (10,980)	4240 (9,210)	3700 (7,980)	3650 (7,970)	2360 (5,090)		
1.5 m (5 ft.)				8340 (17,960)	6240 (13,450)	5280 (11,430)	3420 (7,380)	4090 (8,900)	2240 (4,840)	2510 (4,460)	1590 (3,420)
Ground Line				6610 (15,330)	5780 (12,450)	6000 (12,990)	3200 (6,910)	4420 (9,590)	2140 (4,610)		
-1.5 m (-5 ft.)		4120 (9,250)	4120 (9,250)	8600 (19,730)	5680 (12,210)	6090 (13,200)	3100 (6,690)	4400 (9,520)	2080 (4,500)		
-3.0 m (-10 ft.)		7170 (16,190)	7170 (16,190)	8030 (17,340)	5740 (12,350)	5430 (11,680)	3110 (6,710)				
-4.5 m (-15 ft.)				5290 (11,100)	5290 (11,100)						
<i>With 3.01-m (9 ft. 11 in.) arm and 600-mm (24 in.) triple semi-grouser shoes, blade on ground, less bucket</i>											
6.0 m (20 ft.)						3120 (6,920)	3120 (6,920)				
4.5 m (15 ft.)						3410 (7,450)	3410 (7,450)	3320 (7,160)	2420 (5,200)		
3.0 m (10 ft.)				5240 (10,980)	5240 (10,980)	4240 (9,210)	3650 (7,870)	3650 (7,970)	2330 (5,020)		
1.5 m (5 ft.)				8340 (17,960)	6150 (13,260)	5280 (11,430)	3370 (7,270)	4090 (8,900)	2210 (4,770)	2510 (4,460)	1560 (3,360)
Ground Line				6610 (15,330)	5690 (12,260)	6000 (12,990)	3150 (6,800)	4420 (9,590)	2100 (4,540)		
-1.5 m (-5 ft.)		4120 (9,250)	4120 (9,250)	8600 (19,730)	5590 (12,020)	6090 (13,200)	3050 (6,580)	4400 (9,520)	2050 (4,430)		
-3.0 m (-10 ft.)		7170 (16,190)	7170 (16,190)	8030 (17,340)	5650 (12,160)	5430 (11,680)	3060 (6,610)				
-4.5 m (-15 ft.)				5290 (11,100)	5290 (11,100)						
<i>With 3.01-m (9 ft. 11 in.) arm and 700-mm (28 in.) triple semi-grouser shoes, blade on ground, less bucket</i>											
6.0 m (20 ft.)						3120 (6,920)	3120 (6,920)				
4.5 m (15 ft.)						3410 (7,450)	3410 (7,450)	3320 (7,160)	2450 (5,270)		
3.0 m (10 ft.)				5240 (10,980)	5240 (10,980)	4240 (9,210)	3690 (7,970)	3650 (7,970)	2360 (5,090)		
1.5 m (5 ft.)				8340 (17,960)	6230 (13,440)	5280 (11,430)	3420 (7,380)	4090 (8,900)	2240 (4,840)	2510 (4,460)	1590 (3,420)
Ground Line				6610 (15,330)	5780 (12,440)	6000 (12,990)	3200 (6,900)	4420 (9,590)	2140 (4,610)		
-1.5 m (-5 ft.)		4120 (9,250)	4120 (9,250)	8600 (19,730)	5670 (12,200)	6090 (13,200)	3100 (6,680)	4400 (9,520)	2080 (4,500)		
-3.0 m (-10 ft.)		7170 (16,190)	7170 (16,190)	8030 (17,340)	5740 (12,340)	5430 (11,680)	3110 (6,710)				
-4.5 m (-15 ft.)				5290 (11,100)	5290 (11,100)						

135 P-TIER

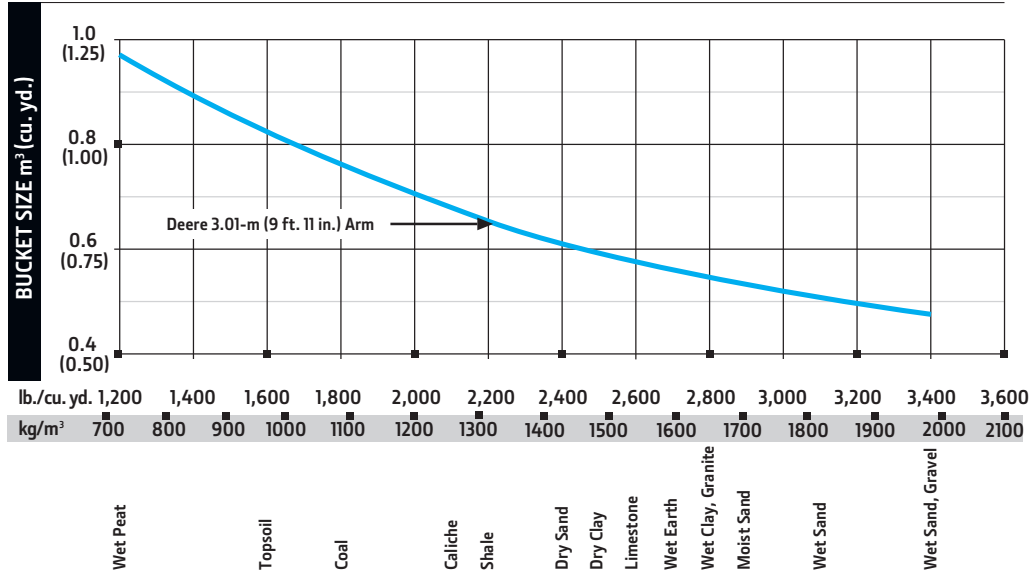
While general information, pictures, and descriptions are provided, some illustrations and text may include product options and accessories NOT AVAILABLE in all regions, and in some countries products and accessories may require modifications or additions to ensure compliance with the local regulations of those countries.

Buckets 135 P-TIER

A full line of buckets is offered to meet a wide variety of applications. Digging forces are with power boost. Buckets are equipped with John Deere TK-Series Bucket Teeth standard. Replaceable cutting edges and a variety of teeth are available through John Deere Parts. Optional side cutters add 150 mm (6 in.) to bucket widths. Capacities are SAE heaped ratings.

Bucket Type	Bucket Width		Bucket Capacity		Bucket Weight	
	mm	in.	m ³	cu. yd.	kg	lb.
Heavy Duty	610	24	0.36	0.47	359	791
	762	30	0.49	0.64	397	875
	914	36	0.62	0.81	448	987
	1067	42	0.76	0.99	484	1,065

Bucket Selection Guide*



* Contact your John Deere dealer for optimum bucket and attachment selections. These recommendations are for general conditions and average use. Does not include optional equipment such as thumbs or couplers. Larger buckets may be possible when using light materials, for flat and level operations, less compacted materials, and volume loading applications such as mass-excavation applications in ideal conditions. Smaller buckets are recommended for adverse conditions such as off-level applications, rocks, and uneven surfaces. Bucket capacity indicated is SAE heaped.

Additional equipment

Key: ● Standard ▲ Optional or special
See your John Deere dealer for further information.

135 P Engine

- Auto-idle system
- Automatic belt-tension device
- Batteries (2 – 12 volt)
- Coolant recovery tank
- Dual-element dry-type air filter
- Electronic engine control
- Enclosed fan guard (conforms to SAE J1308)
- Engine coolant to –37 deg. C (–34 deg. F)
- Fuel filter with water separator
- Full-flow oil filter
- Turbocharger with charge-air cooler
- 500-hour engine-oil-change interval
- 70% (35 deg.) off-level capability
- Programmable auto shutdown
- ▲ Severe-duty fuel filter

Hydraulic System

- Reduced-drift valve for boom down, arm in
- Auxiliary hydraulic valve section
- Spring-applied, hydraulically released automatic swing brake
- Auxiliary hydraulic-flow adjustments through monitor
- Auto power lift
- 5,000-hour hydraulic-oil-change interval
- Auxiliary hydraulic lines with hand-controlled proportional control
- ▲ Load-lowering control device
- ▲ Single-pedal propel control
- ▲ Control pattern-change valve

Undercarriage

- Planetary drive with axial piston motors
- Propel motor shields
- Spring-applied, hydraulically released automatic propel brake
- Track guides, front idler
- 2-speed propel with automatic shift
- Upper carrier roller (1)
- Sealed and lubricated track chain
- ▲ Rubber crawler pads, 500 mm (20 in.)
- ▲ Triple semi-grouser shoes, 600 mm (24 in.)
- ▲ Triple semi-grouser shoes, 700 mm (28 in.)
- ▲ Undercarriage with blade

135 P Upperstructure

- Right-hand, left-hand, and counterweight mirrors
- Vandal locks with ignition key: Cab door / Service doors / Toolbox
- Debris screening
- Remote-mounted engine oil and fuel filters

Front Attachments

- Centralized lubrication system
- Dirt seals on all bucket pins
- Oil-impregnated bushings
- Reinforced resin thrust plates
- Tungsten carbide thermal coating on arm-to-bucket joint
- Arm, 3.01 m (9 ft. 11 in.)
- ▲ Attachment quick-couplers
- ▲ Buckets: Ditching / Heavy duty / Heavy-duty high capacity / Side cutters and teeth
- ▲ Material clamps/Hydraulic thumb

Operator's Station

- Meets ISO 12117-2 for ROPS
- Adjustable independent-control positions (levers-to-seat, seat-to-pedals)
- AM/FM radio
- Auto climate control/air conditioner/heater/pressurizer
- Built-in Operator's Manual storage compartment and manual
- Cell-phone power outlet, 12 volt, 60 watt, 5 amp
- Coat hook
- Deluxe mechanical-suspension cloth seat with 100-mm (4 in.) adjustable armrests
- Floor mat
- Front windshield wiper with intermittent speeds
- Gauges (illuminated): Diesel Exhaust Fluid (DEF) / Engine coolant / Fuel
- Horn, electric
- Hour meter, electric
- Hydraulic shutoff lever, all controls
- Hydraulic warm-up control
- Interior light
- Large cup holder
- Machine Information Center (MIC)

135 P Operator's Station (continued)

- Mode selectors (illuminated): Power modes (3) / Travel modes (2 with automatic shift) / Work mode (1)
- Multifunction, color LCD monitor with: Diagnostic capability / Multiple-language capabilities / Maintenance tracking / Clock / System monitoring with alarm features: Auto-idle indicator, engine air cleaner restriction indicator light, engine check, engine coolant temperature indicator light with audible alarm, engine oil pressure indicator light with audible alarm, low-alternator charge indicator light, low-fuel indicator light, low DEF indication with audible alarm, fault code alert indicator, fuel-rate display, wiper-mode indicator, work-lights-on indicator, and work-mode indicator
- Motion alarm with cancel switch (conforms to SAE J994)
- Power-boost switch on right console lever
- SAE 2-lever control pattern
- Seat belt, 76 mm (3 in.), non-retractable
- Tinted glass
- Transparent tinted overhead hatch
- Hot/cold beverage compartment
- ▲ Hydraulic oil filter restriction indicator light
- ▲ Protection screens for cab front, rear, and side
- ▲ Window vandal-protection covers

Electrical

- 50-amp alternator
 - Blade-type multi-fused circuits
 - Positive-terminal battery covers
 - JDLink™ wireless communication system (available in specific countries; see your dealer for details)
 - ▲ Right rear left 270-deg. camera system with additional LED surround lighting
 - Rearview camera
- ## Lights
- Work lights: LED / 1 mounted on boom / 1 mounted on frame
 - ▲ 2 lights mounted on cab / 1 mounted on right side of boom

While general information, pictures, and descriptions are provided, some illustrations and text may include product options and accessories NOT AVAILABLE in all regions, and in some countries products and accessories may require modifications or additions to ensure compliance with the local regulations of those countries.

Net engine power is with standard equipment including air cleaner, exhaust system, alternator, and cooling fan, at test conditions specified per ISO 9249. No derating is required up to 3050-m (10,000 ft.) altitude. Specifications and design subject to change without notice. Wherever applicable, specifications are in accordance with SAE standards. Except where otherwise noted, these specifications are based on a unit with 914-mm (36 in.), 0.5-m³ (0.65 cu. yd.), 414-kg (913 lb.) general-purpose bucket; 3.01-m (9 ft. 11 in.) arm; 3650-kg (8,047 lb.) counterweight; 700-mm (28 in.) triple-semi grouser shoes; full fuel tank; and 79-kg (175 lb.) operator.




ME135PAJ (22-1)

 **JOHN DEERE**