

G-SERIES
EXCAVATORS



JOHN DEERE

210G / 210G LC



**MID-SIZED
MIGHT**



+



RELIABLE

PRODUCTIVE



***SEE WHAT YOU
CAN DO NO***



W.



COVER ALL THE ANGLES.

Whether you use them to excavate footings, load trucks, set stone, place pipe, or many other jobsite duties, the 210G and 210G LC can make quick work out of any task. Customer-inspired improvements include Powerwise Plus™ technology to boost performance on demand. Control pattern-change valve that eases operation comes standard. Updated cab comforts. Plus options such as hydraulic single-pedal propel system, deluxe LED lighting, and flexible grade-management solutions. These are just some of the ways these accomplished excavators have you covered.

YOUR BEST IDEAS

NOW THERE'S EVEN MORE TO LIKE.

We've upgraded our popular 210G/210G LC Excavators to include valuable input from customers just like you. Read on to find out how we put your ideas to work.

Performance plus

Powerwise Plus technology delivers fuel-efficient power when you need it.

Control pattern

Designed to accommodate different operators with the simple flip of a lever, control pattern-change valve is standard instead of a field-kit option.

Waste not

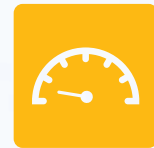
Auto-idle speed can be lowered to a more fuel-efficient 800 rpm.

Keep it clean

Optional rotary precleaner pulls clean air into the system — a must in harsh jobsite conditions.

Going forward

Hydraulic single-pedal propel system enables simplified straight-line machine tracking without the need to engage both hand levers or both foot pedals.



**SET AUTO-IDLE
TO 800 RPM TO
CONSERVE
FUEL**





**GRADE-MANAGEMENT
SOLUTIONS.**

***FLEXIBLE SOLUTIONS
THAT FIT YOUR BUSINESS***
UNLEASH THE POWER OF GRADE CONTROL.

John Deere offers an economical way to adopt grade-management technology for excavators by providing an easy path for future upgrades. This gives you the flexibility to find the right solution, whether you're looking at this technology for the first time or are interested in a premium solution. Choose entry-level, economical Excavator Grade Guidance or opt for fully integrated SmartGrade™.



[GOGRADE.DEERE.COM](https://gograde.deere.com)
PROVIDES MOBILE-FRIENDLY
SETUP & OPERATION

Make good grades

Deere grade-control solutions help reduce labor, enhance speed, and save on material compared to excavators without grade-management technology. And they help operators of all experience levels to achieve excellent results.

Fully supported

Our grade-management solutions come factory ready and are backed by your John Deere dealer, including service, warranty, upgrades, and financing.

Grade Guidance

Entry-level Grade Guidance arms operators with elevation and position of bucket cutting-edge relative to target plane (2D) or design surface (3D). It's perfect for precision excavation projects, including digging trenches for pipes, shaping ditches or slopes, or excavating structure foundations.

SmartGrade

Fully integrated SmartGrade provides 3D control. The operator controls the arm as the machine automatically controls the boom and bucket. Additional features include overdig protection and in-cab real-time distance to target.



THE COMFORT ZONE ***GET IN TOUCH WITH PRODUCTIVE OPERATION.***

Refined LCD monitor employs a rotary control that makes it quick and easy to tap into an abundance of performance and convenience functions and features. Single-pedal propel keeps the machine moving straight forward. Operators will also appreciate the quiet and spacious cab, expansive visibility, and numerous other amenities that provide what your operators need to do their best work.



3-WAY ADJUSTABLE
**PREMIUM
LEATHER SEAT**
(OPTIONAL)

Dial it up

Multi-language LCD monitor and rotary dial provide intuitive access to a wealth of information and functions. Just turn and tap to select work mode, access operating info, check maintenance intervals, source diagnostic codes, adjust cab temperature, and tune the radio. A USB port helps keep your devices charged.

Take control

Ergonomically correct short-throw pilot levers provide smooth, predictable fingertip control with less movement or effort. Push buttons in the right lever allow predictable control of auxiliary hydraulic flow for operating attachments. Optional sliding auxiliary-function lever* provides proportional speed control, giving you full command at your fingertips.

Calm, cool, and collected

Automatic, high-velocity bi-level climate control system with automotive-style adjustable louvers helps keep the glass clear and the cab comfortable.

Single-pedal propel

Hydraulic single-pedal propel system moves the machine when and where you need it to without having to engage both foot pedals or both hand levers.

We've got your back

Sculpted mechanical-suspension high-back seat with 12.5 inches of travel slides together or independent of the joystick console, so it won't cramp an operator's style. Opt for a premium air-suspension leather seat that adjusts three ways, is thermally heated and actively cooled, and includes a high-visibility retractable orange seat belt.

Programmable attachment mode

Toggle between attachments and adjust flow and pressure based on attachment requirements right in the monitor.

Put some light on it

Optional deluxe LED lights at cab front and rear, boom, and toolbox illuminate when your workday extends beyond daylight. They use less power, output more light, and last longer compared to halogen lights.

**Auxiliary-function lever is not available with Grade Guidance or SmartGrade Excavators.*

RUGGED AND RELIABLE

NOTHING IS BUILT LIKE THESE DEERE MACHINES

Conditions can be tough on the jobsite. So we equipped the 210G/210G LC with some equally tough features. Double-seal swing bearing that delivers rock-solid durability. Mainframe single-sheet undercover thickened for added strength. Options like a track-frame undercover to keep debris from accumulating and a rotary precleaner that pulls clean air into the system no matter how foul it is outside. When you know how they're built, you'll see how rugged these machines are.

Stress resistance

A John Deere exclusive, three welded bulkheads within the boom resist torsional stress. Booms, arms, and mainframes are so tough, they're warranted for three years or 10,000 hours.

Pattern of protection

Standard control pattern-change valve and fuel shutoff are well protected yet conveniently accessible at ground level.

TK-Series bucket teeth

Standard TK-Series bucket teeth are engineered for strength and impact absorption. Hammer-free installation and removal simplifies changes and minimizes downtime.

Cooler core cleanout

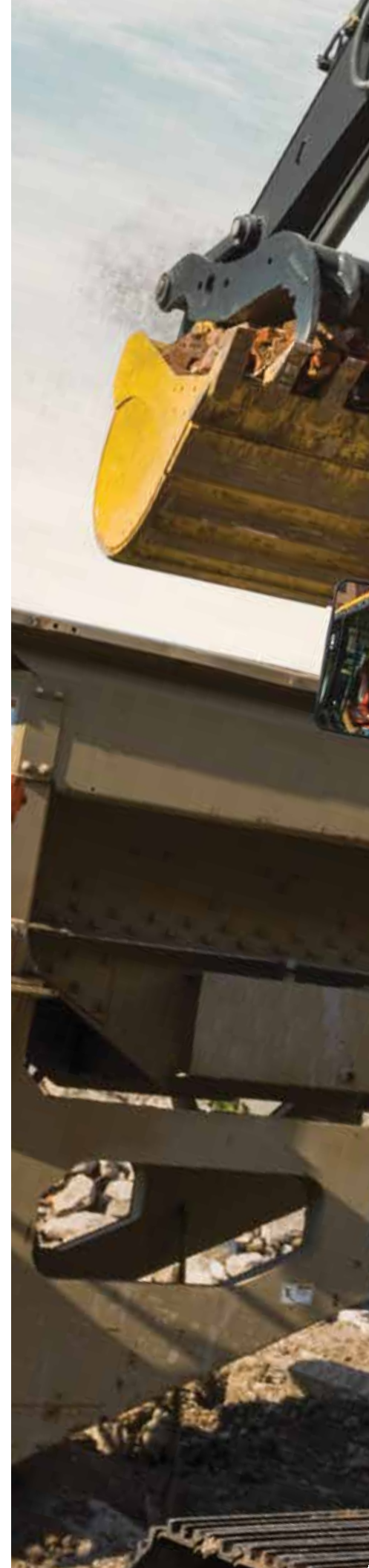
Highly efficient, hydraulically driven fans run only as fast as needed, reducing noise, fuel consumption, and operating costs. Reversing option automatically back-blows cooler cores to help keep them clean.

Designed for durability

Reinforced D-channel side frames with recessed doors provide maximum cab and component protection. Standard mainframe and optional track-frame undercovers provide an extra layer of defense.

FT4 engine technology

To meet stringent EPA Final Tier 4 (FT4)/EU Stage IV standards, we built on our Interim Tier 4 (IT4)/Stage IIIB solution to deliver the best combination of performance, efficiency, and reliability without sacrificing power or torque. Our field-proven technology is simple, fluid efficient, fully integrated, and fully supported. It employs cooled exhaust gas recirculation (EGR), easy-to-maintain high-uptime exhaust filters, and selective catalytic reduction (SCR).





JOHN DEERE

210G LC



READY TO WORK

UNCOVER ALL THE WAYS WE KEEP COSTS DOWN.

DEF access

With a large and accessible tank, diesel exhaust fluid (DEF) can be conveniently filled when refueling. DEF overflow routes excess outside the machine to avoid paint damage.

Refill 'er up

Large fuel tank and 500- and 5,000-hour engine and hydraulic oil-service intervals decrease down-time for routine maintenance compared to models with shorter-hour service requirements. Fluid-level sight gauges are conveniently located and can be checked at a glance.

Easy filter maintenance

Vertical spin-on fuel and engine oil filters are positioned in the right rear compartment for simplified ground-level servicing.

FT4 ash service

Ash-service intervals for the diesel particulate filter (DPF) are condition based, with the machine notifying the operator before service is required. Typically, ash service is not necessary until the first engine overhaul depending on machine application and maintenance practices.

Fuel savers

Auto-idle automatically reduces engine speed to as low as 800 rpm when hydraulics aren't in use. Auto-shutdown further conserves precious fuel and machine hours.



Get valuable insight with

PRECISION CONSTRUCTION

This suite of construction technology delivers **Productivity Solutions** to help you get more done, more efficiently. In-base JDLink™ connectivity provides machine location, utilization data, and alerts to help you maximize productivity and efficiency. Other productivity solutions include grade-management options for multiple machine forms and payload weighing for wheel loaders and articulated dump trucks.

To maximize uptime and lower costs, JDLink also enables **John Deere Connected Support™**. John Deere's centralized Machine Health Monitoring Center analyzes data from thousands of connected machines, identifies trends, and develops recommended actions, called Expert Alerts, to help prevent downtime. Dealers use Expert Alerts to proactively address conditions that may otherwise likely lead to downtime. Your dealer can also monitor machine health and leverage remote diagnostics and programming capability to further diagnose problems and even update machine software without a time-consuming trip to the jobsite.





210G LC SPECIFICATIONS

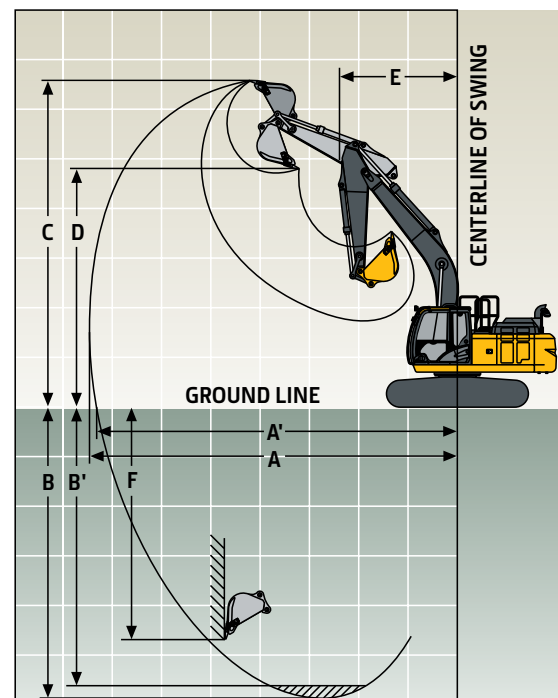
Engine	210G / 210G LC		
	Base engine for use in U.S., U.S. Territories, and Canada		
Manufacturer and Model	John Deere PowerTech™ PVS 6.8L 6068HT106		
Non-Road Emission Standard	EPA Final Tier 4/EU Stage IV		
Net Rated Power (ISO 9249)	119 kW (159 hp) at 2,000 rpm		
Cylinders	6		
Displacement	6.8L (415 cu. in.)		
Off-Level Capacity	70% (35 deg.)		
Aspiration	Turbocharged, air-to-air charge-air cooler		
Cooling			
	Cool-on-demand hydraulic-driven, suction-type fan with remote-mounted drive		
Powertrain			
	2-speed propel with automatic shift		
Maximum Travel Speed			
Low	3.5 km/h (2.2 mph)		
High	5.5 km/h (3.4 mph)		
Drawbar Pull (turtle mode)	20 700 kg (45,636 lb.)		
Hydraulics			
	Open center, pilot controlled		
Main Pumps	2 variable-displacement axial-piston pumps		
Maximum Rated Flow	212 L/m (56 gpm) x 2		
Pilot Pump	1 gear		
Maximum Rated Flow	30 L/m (7.9 gpm)		
Pressure Setting	4000 kPa (580 psi)		
System Operating Pressure			
Circuits			
Implement	34 300 kPa (4,975 psi)		
Travel	35 500 kPa (5,149 psi)		
Swing	33 300 kPa (4,830 psi)		
Power Boost	38 000 kPa (5,511 psi)		
Controls	Pilot levers, short stroke, low-effort hydraulic pilot controls with shutoff lever		
Cylinders			
	<i>Bore</i>	<i>Rod Diameter</i>	<i>Stroke</i>
Boom (2)	120 mm (4.7 in.)	85 mm (3.3 in.)	1260 mm (49.6 in.)
Arm (1)	135 mm (5.3 in.)	95 mm (3.7 in.)	1475 mm (58.1 in.)
Bucket (1)	115 mm (4.5 in.)	80 mm (3.1 in.)	1060 mm (41.7 in.)
Electrical			
Number of Batteries (12 volt)	2		
Battery Capacity	1,000 CCA		
Alternator Rating	100 amp		
Work Lights	2 halogen (1 mounted on left-hand side of boom, 1 on frame)		
Undercarriage	210G	210G LC	
Rollers (each side)			
Carrier	2	2	
Track	7	8	
Shoes, Triple Semi-Grousers (each side)	46	49	
Track			
Adjustment	Hydraulic	Hydraulic	
Guides	Center	Center	
Chain	Sealed and lubricated	Sealed and lubricated	
Ground Pressure			
Triple Semi-Grouser Shoes			
600 mm (24 in.)	48.8 kPa (7.08 psi)	44.4 kPa (6.44 psi)	
700 mm (28 in.)	42.5 kPa (6.16 psi)	39.3 kPa (5.71 psi)	
800 mm (32 in.)	37.7 kPa (5.47 psi)	34.4 kPa (4.99 psi)	

While general information, pictures, and descriptions are provided, some illustrations and text may include product options and accessories NOT AVAILABLE in all regions, and in some countries products and accessories may require modifications or additions to ensure compliance with the local regulations of those countries.

210G LC SPECIFICATIONS



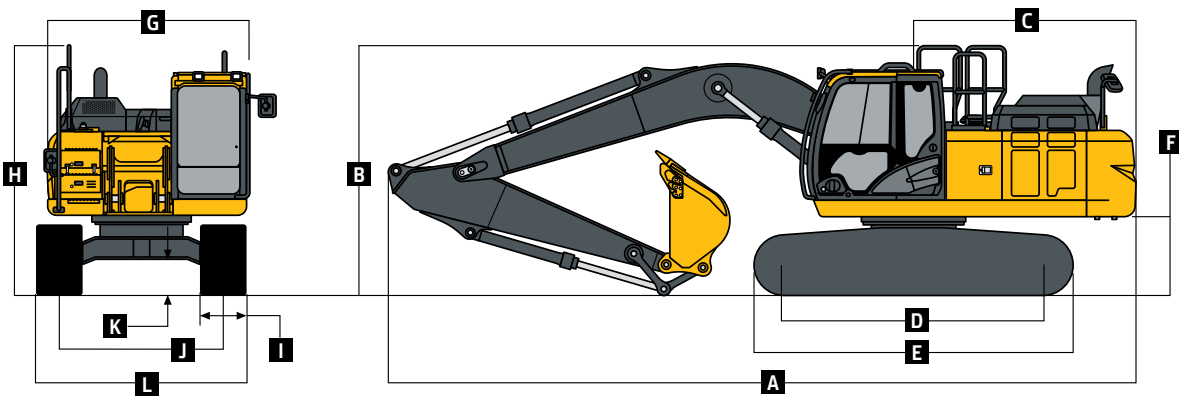
Swing Mechanism		210G / 210G LC	
Swing			
Speed	13.3 rpm		
Torque	68 900 Nm (50,662 lb.-ft.)		
Serviceability			
Refill Capacities			
Fuel Tank	403 L (106.5 gal.)		
Cooling System	35.4 L (9.4 gal.)		
Engine Oil with Filter	20.8 L (5.5 gal.)		
Hydraulic Tank	135 L (35.7 gal.)		
Hydraulic System	240 L (63.4 gal.)		
Gearbox			
Swing	6.2 L (6.6 qt.)		
Propel (each)	7.8 L (8.2 qt.)		
Pump Drive	1 L (1.1 qt.)		
Diesel Exhaust Fluid (DEF) Tank	26.6 L (7.0 gal.)		
Operating Weights		210G	210G LC
With full fuel tank; 79-kg (175 lb.) operator; 1065-mm (42 in.), 0.91-m ³ (1.19 cu. yd.), 886-kg (1,951 lb.) general-purpose bucket; 2.91-m (9 ft. 7 in.) arm; and 4250-kg (9,370 lb.) counterweight			
With Triple Semi-Grouser Shoes			
800 mm (32 in.)	23 161 kg (51,061 lb.)	23 631 kg (52,097 lb.)	
700 mm (28 in.)	22 862 kg (50,402 lb.)	23 318 kg (51,407 lb.)	
600 mm (24 in.)	22 522 kg (49,653 lb.)	22 928 kg (50,548 lb.)	
Component Weights			
Undercarriage with Triple Semi-Grouser Shoes	<i>Standard</i>	<i>LC</i>	
600 mm (24 in.)	6929 kg (15,262 lb.)	7335 kg (16,156 lb.)	
700 mm (28 in.)	7269 kg (16,011 lb.)	7725 kg (17,015 lb.)	
800 mm (32 in.)	7568 kg (16,670 lb.)	8038 kg (17,705 lb.)	
1-Piece Boom (with arm cylinder)	1731 kg (3,813 lb.)	1731 kg (3,813 lb.)	
2.91-m (9 ft. 7 in.) Arm with Bucket Cylinder and Linkage	1001 kg (2,205 lb.)	1001 kg (2,205 lb.)	
Boom-Lift Cylinders (2), Total Weight	354 kg (780 lb.)	354 kg (780 lb.)	
Counterweight, Standard	4250 kg (9,370 lb.)	4250 kg (9,370 lb.)	
Operating Dimensions		210G / 210G LC	
Arm Length			
2.91 m (9 ft. 7 in.)			
Arm Digging Force			
SAE	110 kN (24,729 lbf)		
ISO	114 kN (25,628 lbf)		
Bucket Digging Force			
SAE	141 kN (31,698 lbf)		
ISO	158 kN (35,520 lbf)		
A Maximum Reach	9.92 m (32 ft. 7 in.)		
A' Maximum Reach at Ground Level	9.75 m (32 ft. 0 in.)		
B Maximum Digging Depth	6.67 m (21 ft. 11 in.)		
B' Maximum Digging Depth at 2.44-m (8 ft. 0 in.) Flat Bottom	6.50 m (21 ft. 4 in.)		
C Maximum Cutting Height	10.04 m (32 ft. 11 in.)		
D Maximum Dumping Height	7.18 m (23 ft. 7 in.)		
E Minimum Swing Radius	3.18 m (10 ft. 5 in.)		
F Maximum Vertical Wall	5.99 m (19 ft. 8 in.)		



While general information, pictures, and descriptions are provided, some illustrations and text may include product options and accessories NOT AVAILABLE in all regions, and in some countries products and accessories may require modifications or additions to ensure compliance with the local regulations of those countries.

210G / 210G LC

Machine Dimensions	210G	210G LC
Arm Length	2.91 m (9 ft. 7 in.)	2.91 m (9 ft. 7 in.)
A Overall Length	9.53 m (31 ft. 3 in.)	9.66 m (31 ft. 8 in.)
B Overall Height	3.01 m (9 ft. 11 in.)	3.01 m (9 ft. 11 in.)
C Rear-End Length/Swing Radius	2.89 m (9 ft. 6 in.)	2.89 m (9 ft. 6 in.)
D Distance Between Idler/Sprocket Centerline	3.35 m (11 ft. 0 in.)	3.66 m (12 ft. 0 in.)
E Undercarriage Length	4.17 m (13 ft. 8 in.)	4.47 m (14 ft. 8 in.)
F Counterweight Clearance	1030 mm (3 ft. 5 in.)	1030 mm (3 ft. 5 in.)
G Upperstructure Width	2.71 m (8 ft. 11 in.)	2.71 m (8 ft. 11 in.)
H Cab Height	2.95 m (9 ft. 8 in.)	2.95 m (9 ft. 8 in.)
I Track Width with Triple Semi-Grouser Shoes	600 mm (24 in.) / 700 mm (28 in.) / 800 mm (32 in.)	600 mm (24 in.) / 700 mm (28 in.) / 800 mm (32 in.)
J Gauge Width	2.22 m (7 ft. 3 in.)	2.39 m (7 ft. 10 in.)
K Ground Clearance	450 mm (17.72 in.)	450 mm (17.72 in.)
L Overall Width with Triple Semi-Grouser Shoes		
600 mm (24 in.)	2.82 m (9 ft. 3 in.)	2.99 m (9 ft. 10 in.)
700 mm (28 in.)	2.92 m (9 ft. 7 in.)	3.09 m (10 ft. 2 in.)
800 mm (32 in.)	3.02 m (9 ft. 11 in.)	3.19 m (10 ft. 6 in.)



210G / 210G LC EXCAVATORS

While general information, pictures, and descriptions are provided, some illustrations and text may include product options and accessories NOT AVAILABLE in all regions, and in some countries products and accessories may require modifications or additions to ensure compliance with the local regulations of those countries.

210G Lift Capacities

Boldface type indicates hydraulically limited capacity; lightface type indicates stability-limited capacities, in kg (lb.). Ratings at bucket lift hook; machine equipped with 666-kg (1,468 lb.) bucket, standard counterweight, and standard gauge; and situated on firm, level, uniform supporting surface. Total load includes weight of cables, hook, etc. Figures do not exceed 87 percent of hydraulic capacities or 75 percent of weight needed to tip machine. All lift capacities are based on ISO 10567 (with power boost).

LOAD POINT HEIGHT	HORIZONTAL DISTANCE FROM CENTERLINE OF ROTATION									
	1.5 m (5 ft.)		3.0 m (10 ft.)		4.5 m (15 ft.)		6.0 m (20 ft.)		7.5 m (25 ft.)	
	Over Front	Over Side	Over Front	Over Side	Over Front	Over Side	Over Front	Over Side	Over Front	Over Side
<i>With 2.91-m (9 ft. 7 in.) arm and 600-mm (24 in.) triple semi-grouser shoes</i>										
6.0 m (20 ft.)							4650	4530		
							(10,210)	(9,720)		
4.5 m (15 ft.)					6030	6030	5200	4370	4610	2940
					(13,010)	(13,010)	(11,310)	(9,400)	(9,890)	(6,300)
3.0 m (10 ft.)					7950	6510	6070	4140	4500	2840
					(17,100)	(14,040)	(13,150)	(8,910)	(9,670)	(6,100)
1.5 m (5 ft.)					9680	6030	6270	3910	4380	2730
					(20,880)	(12,990)	(13,480)	(8,410)	(9,420)	(5,860)
Ground Line			4270	4270	9720	5770	6090	3740	4290	2640
			(9,930)	(9,930)	(20,860)	(12,420)	(13,090)	(8,060)	(9,220)	(5,680)
-1.5 m (-5 ft.)	4900	4900	8520	8520	9630	5700	6010	3670	4260	2620
	(11,010)	(11,010)	(19,440)	(19,440)	(20,670)	(12,250)	(12,920)	(7,910)	(9,170)	(5,640)
-3.0 m (-10 ft.)	9390	9390	13 810	11 360	9650	5760	6050	3710		
	(21,140)	(21,140)	(29,920)	(24,350)	(20,830)	(12,390)	(13,020)	(7,990)		
-4.5 m (-15 ft.)			10 680	10 680	7540	5960				
			(22,820)	(22,820)	(16,000)	(12,860)				
<i>With 2.91-m (9 ft. 7 in.) arm and 700-mm (28 in.) triple semi-grouser shoes</i>										
6.0 m (20 ft.)							4650	4600		
							(10,210)	(9,890)		
4.5 m (15 ft.)					6030	6030	5200	4450	4710	3000
					(13,010)	(13,010)	(11,310)	(9,560)	(10,090)	(6,420)
3.0 m (10 ft.)					7950	6620	6070	4210	4600	2900
					(17,100)	(14,280)	(13,150)	(9,070)	(9,870)	(6,220)
1.5 m (5 ft.)					9680	6140	6390	3980	4470	2790
					(20,880)	(13,230)	(13,750)	(8,570)	(9,620)	(5,980)
Ground Line			4270	4270	9910	5880	6210	3820	4380	2700
			(9,930)	(9,930)	(21,270)	(12,650)	(13,360)	(8,220)	(9,420)	(5,810)
-1.5 m (-5 ft.)	4900	4900	8520	8520	9830	5810	6130	3750	4350	2680
	(11,010)	(11,010)	(19,440)	(19,440)	(21,080)	(12,490)	(13,190)	(8,070)	(9,380)	(5,760)
-3.0 m (-10 ft.)	9390	9390	13 810	11 560	9650	5870	6170	3780		
	(21,140)	(21,140)	(29,920)	(24,780)	(20,840)	(12,620)	(13,290)	(8,150)		
-4.5 m (-15 ft.)			10 680	10 680	7540	6070				
			(22,820)	(22,820)	(16,000)	(13,100)				
<i>With 2.91-m (9 ft. 7 in.) arm and 800-mm (32 in.) triple semi-grouser shoes</i>										
6.0 m (20 ft.)							4650	4640		
							(10,210)	(9,960)		
4.5 m (15 ft.)					6030	6030	5200	4480	4750	3020
					(13,010)	(13,010)	(11,310)	(9,640)	(10,190)	(6,480)
3.0 m (10 ft.)					7950	6670	6070	4250	4640	2920
					(17,100)	(14,380)	(13,150)	(9,140)	(9,970)	(6,280)
1.5 m (5 ft.)					9680	6180	6450	4010	4520	2810
					(20,880)	(13,330)	(13,880)	(8,640)	(9,710)	(6,040)
Ground Line			4270	4270	10 000	5920	6270	3850	4420	2730
			(9,930)	(9,930)	(21,460)	(12,760)	(13,480)	(8,290)	(9,520)	(5,860)
-1.5 m (-5 ft.)	4900	4900	8520	8520	9910	5850	6190	3780	4400	2700
	(11,010)	(11,010)	(19,440)	(19,440)	(21,270)	(12,590)	(13,320)	(8,140)	(9,470)	(5,820)
-3.0 m (-10 ft.)	9390	9390	13 810	11 650	9650	5910	6230	3820		
	(21,140)	(21,140)	(29,920)	(24,970)	(20,840)	(12,730)	(13,410)	(8,220)		
-4.5 m (-15 ft.)			10 680	10 680	7540	6120				
			(22,820)	(22,820)	(16,000)	(13,200)				

While general information, pictures, and descriptions are provided, some illustrations and text may include product options and accessories NOT AVAILABLE in all regions, and in some countries products and accessories may require modifications or additions to ensure compliance with the local regulations of those countries.

210G / 210G LC

210G LC Lift Capacities

Boldface type indicates hydraulically limited capacity; lightface type indicates stability-limited capacities, in kg (lb.). Ratings at bucket lift hook; machine equipped with 666-kg (1,468 lb.) bucket, standard counterweight, and standard gauge; and situated on firm, level, uniform supporting surface. Total load includes weight of cables, hook, etc. Figures do not exceed 87 percent of hydraulic capacities or 75 percent of weight needed to tip machine. All lift capacities are based on ISO 10567 (with power boost).

LOAD POINT HEIGHT	HORIZONTAL DISTANCE FROM CENTERLINE OF ROTATION									
	1.5 m (5 ft.)		3.0 m (10 ft.)		4.5 m (15 ft.)		6.0 m (20 ft.)		7.5 m (25 ft.)	
	Over Front	Over Side	Over Front	Over Side	Over Front	Over Side	Over Front	Over Side	Over Front	Over Side
<i>With 2.91-m (9 ft. 7 in.) arm and 600-mm (24 in.) triple semi-grouser shoes</i>										
6.0 m (20 ft.)							4650	4650		
							(10,210)	(10,210)		
4.5 m (15 ft.)					6030	6030	5200	4870	4820	3300
					(13,010)	(13,010)	(11,310)	(10,480)	(10,560)	(7,070)
3.0 m (10 ft.)					7950	7310	6070	4630	5120	3200
					(17,100)	(15,750)	(13,150)	(9,980)	(11,000)	(6,870)
1.5 m (5 ft.)					9680	6810	6940	4400	4990	3080
					(20,880)	(14,670)	(15,030)	(9,470)	(10,730)	(6,630)
Ground Line			4270	4270	10 540	6540	6980	4230	4900	3000
			(9,930)	(9,930)	(22,810)	(14,080)	(15,000)	(9,110)	(10,540)	(6,450)
-1.5 m (-5 ft.)	4900	4900	8520	8520	10 510	6470	6900	4160	4870	2970
	(11,010)	(11,010)	(19,440)	(19,440)	(22,760)	(13,910)	(14,830)	(8,950)	(10,490)	(6,400)
-3.0 m (-10 ft.)	9390	9390	13 810	13 120	9650	6530	6940	4190		
	(21,140)	(21,140)	(29,920)	(28,090)	(20,840)	(14,050)	(14,930)	(9,040)		
-4.5 m (-15 ft.)			10 680	10 680	7540	6740				
			(22,820)	(22,820)	(16,000)	(14,540)				
<i>With 2.91-m (9 ft. 7 in.) arm and 700-mm (28 in.) triple semi-grouser shoes</i>										
6.0 m (20 ft.)							4650	4650		
							(10,210)	(10,210)		
4.5 m (15 ft.)					6030	6030	5200	4950	4820	3360
					(13,010)	(13,010)	(11,310)	(10,650)	(10,560)	(7,210)
3.0 m (10 ft.)					7950	7430	6070	4720	5180	3260
					(17,100)	(16,010)	(13,150)	(10,150)	(11,210)	(7,000)
1.5 m (5 ft.)					9680	6930	6940	4480	5090	3150
					(20,880)	(14,930)	(15,030)	(9,640)	(10,950)	(6,760)
Ground Line			4270	4270	10 540	6660	7120	4310	5000	3060
			(9,930)	(9,930)	(22,810)	(14,340)	(15,300)	(9,280)	(10,750)	(6,580)
-1.5 m (-5 ft.)	4900	4900	8520	8520	10 510	6590	7040	4240	4970	3030
	(11,010)	(11,010)	(19,440)	(19,440)	(22,760)	(14,170)	(15,130)	(9,130)	(10,700)	(6,530)
-3.0 m (-10 ft.)	9390	9390	13 810	13 340	9650	6650	7010	4280		
	(21,140)	(21,140)	(29,920)	(28,570)	(20,840)	(14,310)	(15,070)	(9,220)		
-4.5 m (-15 ft.)			10 680	10 680	7540	6860				
			(22,820)	(22,820)	(16,000)	(14,800)				
<i>With 2.91-m (9 ft. 7 in.) arm and 800-mm (32 in.) triple semi-grouser shoes</i>										
6.0 m (20 ft.)							4650	4650		
							(10,210)	(10,210)		
4.5 m (15 ft.)					6030	6030	5200	5010	4820	3410
					(13,010)	(13,010)	(11,310)	(10,790)	(10,560)	(7,310)
3.0 m (10 ft.)					7950	7520	6070	4780	5180	3310
					(17,100)	(16,200)	(13,150)	(10,290)	(11,290)	(7,100)
1.5 m (5 ft.)					9680	7020	6940	4540	5170	3190
					(20,880)	(15,120)	(15,030)	(9,780)	(11,110)	(6,860)
Ground Line			4270	4270	10 540	6750	7220	4370	5080	3110
			(9,930)	(9,930)	(22,810)	(14,530)	(15,520)	(9,410)	(10,920)	(6,680)
-1.5 m (-5 ft.)	4900	4900	8520	8520	15 100	6680	7140	4300	5050	3080
	(11,010)	(11,010)	(19,440)	(19,440)	(22,760)	(14,360)	(15,350)	(9,260)	(10,870)	(6,630)
-3.0 m (-10 ft.)	9390	9390	13 810	13 510	9650	6740	7010	4340		
	(21,140)	(21,140)	(29,920)	(28,930)	(20,840)	(14,500)	(15,070)	(9,350)		
-4.5 m (-15 ft.)			10 680	10 680	7540	6950				
			(22,820)	(22,820)	(16,000)	(14,990)				

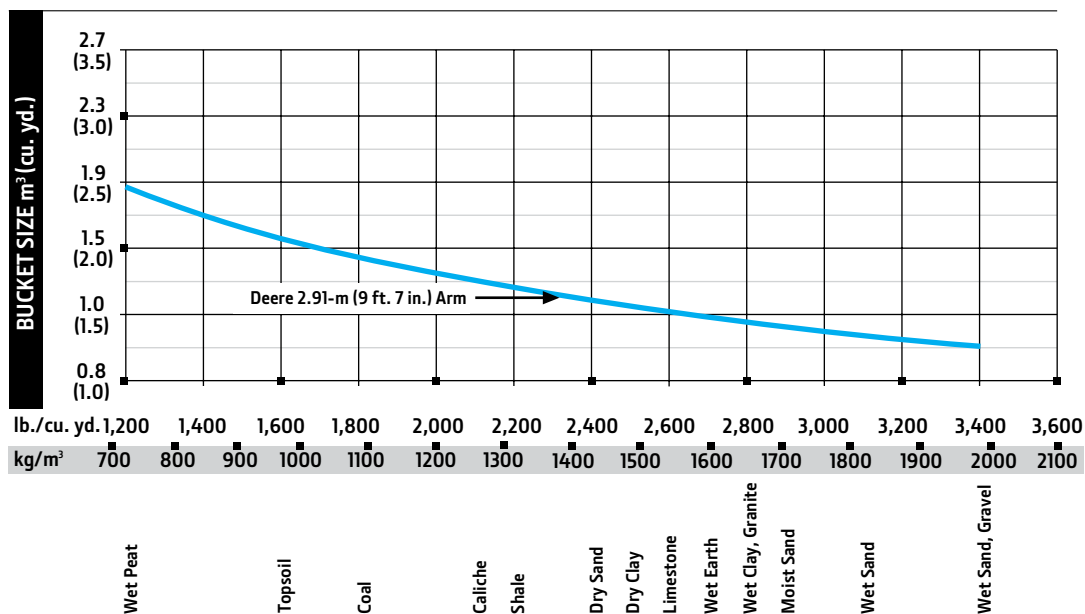
While general information, pictures, and descriptions are provided, some illustrations and text may include product options and accessories NOT AVAILABLE in all regions, and in some countries products and accessories may require modifications or additions to ensure compliance with the local regulations of those countries.

Buckets 210G / 210G LC

A full line of buckets is offered to meet a wide variety of applications. Digging forces are with power boost. Buckets are equipped with John Deere TK-Series Bucket Teeth standard. Replaceable cutting edges and a variety of teeth are available through John Deere Parts. Optional side cutters add 150 mm (6 in.) to bucket widths. Capacities are SAE heaped ratings.

Type Bucket	Bucket Width		Bucket Capacity		Bucket Weight		Bucket Dig Force		Arm Dig Force 2.91 m (9 ft. 7 in.)		Bucket Tip Radius		Number of Teeth
	mm	in.	m ³	cu. yd.	kg	lb.	kN	lbf	kN	lbf	mm	in.	
Heavy Duty	914	36	0.69	0.90	704	1,551	164.4	36,948	115.1	25,869	1422	56	5
	1067	42	0.83	1.09	768	1,692	164.4	36,948	115.1	25,869	1422	56	5
	1219	48	0.99	1.29	850	1,873	164.4	36,948	115.1	25,869	1422	56	6
Heavy Duty High Capacity	610	24	0.43	0.56	660	1,453	161.5	36,300	114.4	25,719	1448	57	4
	760	30	0.58	0.76	723	1,593	161.5	36,300	114.4	25,719	1448	57	4
	914	36	0.74	0.97	829	1,825	161.5	36,300	114.4	25,719	1448	57	5
	1067	42	0.91	1.19	924	2,035	161.5	36,300	114.4	25,719	1448	57	5

Bucket Selection Guide*



* Contact your John Deere dealer for optimum bucket and attachment selections. These recommendations are for general conditions and average use. Does not include optional equipment such as thumbs or couplers. Larger buckets may be possible when using light materials, for flat and level operations, less compacted materials, and volume loading applications such as mass-excavation applications in ideal conditions. Smaller buckets are recommended for adverse conditions such as off-level applications, rocks, and uneven surfaces. Bucket capacity indicated is SAE heaped.

Additional equipment

Key: ● Standard ▲ Optional or special

See your John Deere dealer for further information.

210G / 210G LC	Engine
●	Auto-idle system
●	Automatic belt-tension device
●	Batteries (2 – 12 volt)
●	Coolant recovery tank
●	Dual-element dry-type air filter
●	Electronic engine control
●	Enclosed fan guard (conforms to SAE J1308)
●	Engine coolant to –37 deg. C (–34 deg. F)
●	Fuel filter with water separator
●	Fuel shutoff valve
●	Full-flow oil filter
●	Turbocharger with charge air cooler
●	Cool-on-demand hydraulic-driven fan
●	500-hour engine-oil-change interval
●	70% (35 deg.) off-level capability
●	Engine-oil-sampling valve
●	Programmable auto shutdown
▲	Chrome exhaust stack
▲	Severe-duty fuel filter
▲	Hydraulic fan reverser
▲	Engine coolant heater
▲	Engine air precleaner
Hydraulic System	
●	Reduced-drift valve for boom down, arm in
●	Auxiliary hydraulic valve section
●	Spring-applied, hydraulically released automatic swing brake
●	Auxiliary hydraulic-flow adjustments through monitor
●	Auto power lift
●	5,000-hour hydraulic-oil-change interval
●	Hydraulic-oil-sampling valve
●	Control pattern-change valve
●	Powerwise Plus™ hydraulic-management system
▲	Auxiliary hydraulics with combination piping
▲	Auxiliary pilot and electric controls
▲	Hydraulic filter restriction indicator kit
▲	Load-lowering control device
▲	Single-pedal propel control
▲	Dual pump-flow combiner
▲	High-flow auxiliary hydraulic lines with dual stop valves
Undercarriage	
●	Planetary drive with axial piston motors
●	Propel motor shields
●	Spring-applied, hydraulically released automatic propel brake
●	Track guides, front idler and center
●	2-speed propel with automatic shift
●	Upper carrier rollers (2)
●	Sealed and lubricated track chain
●	Heavy-duty undercover

210G / 210G LC	Undercarriage (continued)
▲	Triple semi-grouser shoes, 600 mm (24 in.)
▲	Triple semi-grouser shoes, 700 mm (28 in.)
▲	Triple semi-grouser shoes, 800 mm (32 in.)
Upperstructure	
●	Right-hand and left-hand mirrors
●	Vandal locks with ignition key: Cab door / Service doors / Toolbox
●	Debris screen in side panel
●	Remote-mounted engine oil and fuel filters
●	Service handrails
Front Attachments	
●	Centralized lubrication system
●	Dirt seals on all bucket pins
●	Less boom and arm
●	Oil-impregnated bushings
●	Reinforced resin thrust plates
●	Tungsten carbide thermal coating on arm-to-bucket joint
▲	Arm, 2.91 m (9 ft. 7 in.)
▲	Attachment quick-couplers
▲	Boom cylinder with plumbing to mainframe for less boom and arm
▲	Buckets: Heavy duty / Side cutters and teeth
▲	Material clamps
▲	Super-long fronts
Operator's Station	
●	Meets ISO 12117-2 for ROPS
●	Adjustable independent-control positions (levers-to-seat, seat-to-pedals)
●	AM/FM radio
●	Auto climate control/air conditioner/heater/pressurizer
●	Built-in Operator's Manual storage compartment and manual
●	Cell-phone power outlet, 12 volt, 60 watt, 5 amp
●	Coat hook
●	Standard cloth seat, mechanical suspension, with 100-mm (4 in.) adjustable armrests
▲	Deluxe heated cloth seat, air suspension, with 100-mm (4 in.) adjustable armrests
▲	Premium thermally heated and actively cooled leather seat
●	Retractable seat belt, 76 mm (3 in.) (conforms to SAE J368)
●	Floor mat
●	Front windshield wiper with intermittent speeds
●	Gauges (illuminated): Diesel Exhaust Fluid (DEF) / Engine coolant / Fuel
●	Horn, electric
●	Hourmeter, electric
●	Hydraulic shutoff lever, all controls
●	Hydraulic warm-up control

210G / 210G LC	Operator's Station (continued)
●	Interior light
●	Large cup holder
●	Machine Information Center (MIC)
●	Mode selectors (illuminated): Power modes (3) / Travel modes (2 with automatic shift) / Work mode (1)
●	Multifunction, color LCD monitor with: Diagnostic capability / Multiple-language capabilities / Maintenance tracking / Clock / System monitoring with alarm features: Auto-idle indicator, engine air cleaner restriction indicator light, engine check, engine coolant temperature indicator light with audible alarm, engine oil pressure indicator light with audible alarm, low-alternator-charge indicator light, low-fuel indicator light, low DEF indication with audible alarm, fault code alert indicator, fuel-rate display, wiper-mode indicator, work-lights-on indicator, and work-mode indicator
●	Motion alarm with cancel switch (conforms to SAE J994)
●	Power-boost switch on right console lever
●	Auxiliary hydraulic control switches in right console lever
●	SAE 2-lever control pattern
●	Tinted glass
●	Transparent tinted overhead hatch
●	Hot/cold beverage compartment
●	USB charging port
▲	Hydraulic oil filter restriction indicator light
▲	Protection screens for cab front, rear, and side
▲	Window vandal-protection covers
▲	In-monitor adjustable flow and pressure auxiliary hydraulics with auxiliary function lever (AFL)
Grade Control	
▲	Grade Guidance, factory integrated
▲	SmartGrade™ Ready including 2D grade control
▲	SmartGrade 3D grade control
Electrical	
●	100-amp alternator
●	Blade-type multi-fused circuits
●	Positive-terminal battery covers
●	JDLINK™ wireless communication system (available in specific countries; see your dealer for details)
●	Rearview camera
▲	Cab extension wiring harness
Lights	
●	Work lights: Halogen / 1 mounted on boom / 1 mounted on frame
▲	LED light kit: 2 lights mounted on cab front / 1 mounted on cab rear / 1 mounted on boom / 1 mounted in toolbox
▲	Deluxe LED light package

While general information, pictures, and descriptions are provided, some illustrations and text may include product options and accessories NOT AVAILABLE in all regions, and in some countries products and accessories may require modifications or additions to ensure compliance with the local regulations of those countries.

Net engine power is with standard equipment including air cleaner, exhaust system, alternator, and cooling fan, at test conditions specified per ISO 9249. No derating is required up to 3050-m (10,000 ft.) altitude. Specifications and design subject to change without notice. Wherever applicable, specifications are in accordance with SAE standards. Except where otherwise noted, these specifications are based on units with 1065-mm (42 in.), 0.91-m³ (1.19 cu. yd.), 886-kg (1,951 lb.) general-purpose buckets; 2.91-m (9 ft. 7 in.) arms; 4250-kg (9,370 lb.) counterweights; 800-mm (32 in.) triple semi-grouser shoes; full fuel tanks; and 79-kg (175 lb.) operators.

