

210 P

Tractor Loader



JOHN DEERE





INDUSTRIAL-STRENGTH BUSINESS MODEL

For years, the John Deere “skip” loader has been popular on the West Coast. Its go-anywhere grading ability and operating ease have helped make this “secret weapon” one of the worst-kept secrets in the business. With its outstanding versatility and durability, our 210 P-Tier Tractor Loader is more than just a great grading machine. Packed with customer-inspired innovations and plenty of power, this tenacious taskmaster is purpose built for unique applications and designed to fit on a wide range of jobsites. Equip yours with a multipurpose bucket or multitude of other attachments to find out why it’s catching on just about everywhere.

210 P-TIER TRACTOR LOADER

FEATURES

Go for it

Mechanical-front-wheel drive (MFWD) and differential lock can be engaged on the go to supply extra traction in poor underfoot conditions or for moving heavy loads. Optional limited-slip front axle delivers 65 percent of available power to the tire with the best traction for true all-wheel-drive pulling power.

Powerful engine technology

Rugged EPA Final Tier 4 (FT4)/EU Stage IV John Deere PowerTech™ EWL engine boosts power, torque, and reliability compared to previous models. Simple two-valve cylinder-head, wet-sleeve design with replaceable cylinder liners provides uniform cooling and aids in reducing oil breakdown and ring wear. Filters have been redesigned and relocated for easier servicing over earlier models.

Make the grade

Factory-installed Grade-Control-Ready option enables operators to complete finish grading faster, easier, and with greater accuracy. The package includes the base components needed for using a 2D or 3D grade-technology system to control box-blade lift and tilt cylinders. The machine is then completed with a dealer-supplied technology finishing kit of your choice. For less complex grading, an entry-level grade-indication option provides the operator with machine roll and pitch with ± 0.5 -percent accuracy.

Positioned for productivity

Hitch design makes it easy to position the box blade over the pile, boosting versatility and productivity. Integral three-point hitch and optional power takeoff (PTO) accommodate a variety of Category 2 tools such as disks, mowers, blades, and box scrapers.



STANDARD MFWD DELIVERS
SURE-FOOTED TRACTION
IN POOR GROUND CONDITIONS

Enjoy the ride

Optional ride control reduces tire flexing over rough terrain with a loaded bucket, reducing material spillage and improving machine ride to boost operator comfort and efficiency.

Comfortable and in control

Including customer-inspired features such as 70-degree seat rotation and an ergonomic loader grip, the 210 P-Tier operator station sets the standard for ease of control and operation. Equipped with either a standard canopy or an optional four-season air-conditioned/heated cab, comfort and productivity are front and center.

Get a grip

“Palm-on-top” loader-control grip is convenient and easy to use. Optional control of auxiliary proportional roller and momentary mechanical-front-wheel drive (MFWD) is at your fingertips.

Power lifter

Updated hydraulic gear pump increases hydraulic flow by 15 percent (from 25 to 28.9 gpm) during loader applications, improving loader cycle times over earlier models.

Tough enough

Large-diameter hitch and tilt cylinder pins reinforce durability, for long life. Optional transmission guard provides more protection from stones, stumps, and debris, while preventing material accumulation when backing over the pile.

Take a side

Two-position tilt hood enables same-side ground-level access to engine and transmission dipsticks, engine-oil fill, fuel and air filters, and coolant reservoir. Fuel fill is also conveniently close.



CLEAR SIGHTLINES
FROM CAB SEAT TO
FRONT LOADER BUCKET



210 P-TIER TRACTOR LOADER



Connected machines

John Deere construction equipment comes with in-base connectivity — free from subscriptions or annual renewals. Analyze critical machine data, track utilization, review diagnostic alerts, and more from **the John Deere Operations Center™**. The Operations Center also enables **John Deere Connected Support™**, which uses data from thousands of connected machines to proactively address issues before they arise. With your approval, your dealer can also remotely monitor machine health, diagnose problems, and even update machine software without a trip to the jobsite.*

*Availability varies by region and product. Options not available in every country.



While general information, pictures, and descriptions are provided, some illustrations and text may include product options and accessories NOT AVAILABLE in all regions, and in some countries products and accessories may require modifications or additions to ensure compliance with the local regulations of those countries.

Engine		210 P-TIER	
Manufacturer and Model	John Deere PowerTech™ EWL 4.5L turbocharged		
Non-Road Emission Standard	EPA Final Tier 4/EU Stage IV		
Displacement	4.5 L (276 cu. in.)		
Gross Peak Power	76 kW (102 hp) at 1,600 rpm		
Power Ratings			
Net Peak Power (ISO 9249)	75 kW (100 hp) at 1,600 rpm		
Net Peak Torque (ISO 9249)	459 Nm (338 lb.-ft.) at 1,500 rpm		
Net Torque Rise	51%		
Lubrication	Pressure system with spin-on filter and cooler		
Air Cleaner	Dual-stage dry type with safety element and evacuator valve		
Cooling			
Fan Type	Electronically controlled, variable rate, suction-type cooling fan standard		
Engine Coolant Rating	-40 deg. C (-40 deg. F)		
Engine Oil Cooler	Oil to water		
Powertrain			
Transmission	4-speed, helical-cut gears, full PowerShift™ transmission with hydraulic reverser standard; electric clutch cutoff on loader lever		
Torque Converter	Single stage, dual phase with 2.63:1 stall ratio, 280 mm (11 in.)		
Maximum Travel Speeds With Standard PowerShift Transmission, Measured With 16.9L-24 Rear Tires			
	<i>Forward</i>		<i>Reverse</i>
Gear 1	5.0 km/h (3.1 mph)		6.4 km/h (4.0 mph)
Gear 2	9.2 km/h (5.7 mph)		11.7 km/h (7.3 mph)
Gear 3	19.0 km/h (11.8 mph)		—
Gear 4	34.2 km/h (21.3 mph)		—
Axles			
Axle Oscillation, Stop to Stop, Front Axle	22 deg.		
Axle Ratings			
	<i>Front</i>		<i>Rear</i>
SAE J43	5500 kg (12,100 lb.)		6000 kg (13,200 lb.)
Dynamic	9000 kg (19,800 lb.)		10 000 kg (22,000 lb.)
Static	24 500 kg (54,000 lb.)		26 500 kg (58,400 lb.)
Ultimate	41 500 kg (91,500 lb.)		41 500 kg (91,500 lb.)
Differentials			
Mechanical-Front-Wheel-Drive (MFWD) Axle	Open – standard; automatic, limited-slip traction control – custom or optional		
Rear Axle	Foot actuated, hydraulically engaged 100% mechanical lock		
Steering (ISO 5010)			
Axle	MFWD		
Curb-Turning Radius			
With Brakes	3.46 m (11 ft. 4 in.)		
Without Brakes	3.96 m (13 ft. 0 in.)		
Bucket-Clearance Circle			
With Brakes	9.87 m (32 ft. 5 in.)		
Without Brakes	10.61 m (34 ft. 10 in.)		
Steering Wheel Turns (lock to lock)	2.7		
MFWD and Rear Axle	Heavy duty, outboard planetary final drives distribute shock loads over 3 gears		
Brakes (ISO 3450)			
Service	Power assisted, hydraulic wet disc, mounted inboard, self-adjusting and self-equalizing		
Parking	Spring applied, hydraulically released, wet, multi-disc, independent of service brakes with electric switch control		
Hydraulics			
Main Pump	Open-center system; single-gear pump, integral priority valve		
Pump Flow, Hitch and Loader			
Hitch	45 L/m (12.0 gpm)		
Loader	109 L/m (28.9 gpm)		
System Relief Pressure	22 063 kPa (3,200 psi)		

210 P-TIER TRACTOR LOADER SPECIFICATIONS

210

P

While general information, pictures, and descriptions are provided, some illustrations and text may include product options and accessories NOT AVAILABLE in all regions, and in some countries products and accessories may require modifications or additions to ensure compliance with the local regulations of those countries.

Hydraulics <i>(continued)</i>		210 P-TIER	
Hitch Hydraulic Cycle Time			
Hitch Raise (full stroke)		1.7 sec.	
Hitch Lower (to ground level)		1.2 sec.	
Pitch Down		1.8 sec.	
Pitch Up		2.1 sec.	
Tilt Up		1.6 sec.	
Tilt Down		1.2 sec.	
Loader Hydraulic Cycle Time			
Boom Raise to Full Height		4.7 sec.	
Bucket Dump at Maximum Height		2.4 sec.	
Boom Lower (power down)		2.4 sec.	
Controls			
Hitch		4-lever, single tilt cylinder; 5-lever dual tilt (includes auxiliary) optional	
Loader		Single-lever loader/bucket control with electric clutch cutoff switch; separate-lever loader auxiliary function optional; single-lever loader/auxiliary with metered roller switch for auxiliary optional	
Cylinders			
Heat-treated, chrome-plated, polished rods; hardened steel (replaceable bushings) pivot pins			
	<i>Bore</i>	<i>Rod Diameter</i>	<i>Stroke</i>
Loader Boom (2)	80.0 mm (3.15 in.)	50.0 mm (1.97 in.)	790.0 mm (31.10 in.)
Loader Bucket (1)	90.0 mm (3.54 in.)	50.0 mm (1.97 in.)	744.0 mm (29.29 in.)
Hitch Lift (1)	80.0 mm (3.15 in.)	50.0 mm (1.97 in.)	254.0 mm (10.00 in.)
Hitch Pitch (1)	63.5 mm (2.50 in.)	31.8 mm (1.25 in.)	196.9 mm (7.75 in.)
Hitch Tilt (1 or 2)	76.2 mm (3.00 in.)	50.8 mm (2.00 in.)	120.7 mm (4.75 in.)
MFWD (1)	65.0 mm (2.56 in.)	40.0 mm (1.57 in.)	216.2 mm (8.51 in.)
Electrical			
Voltage	12 volt		
Alternator Rating	145 amp with canopy or cab		
Lights	Canopy: 2 halogen front or 4 optional halogen (rear and front; 32,500 candlepower each); turn signals and flashers (2 front and 2 rear); stop- and taillights, 2 front amber reflectors, and 2 rear reflectors; 6 LED light option (2 front, 2 side, and 2 rear); Cab: 4 halogen (rear and front), turn signals and flashers (2 front and 2 rear); stop- and taillights, 2 front amber reflectors, and 2 rear reflectors		
Operator Station			
Type (ISO 3471)	Standard canopy: solid-mounted ROPS/FOPS, left access, with 2-post ROPS and steel roof / optional cab: isolation-mounted ROPS/FOPS, left access, with molded roof and standard HVAC		
Seat Rotation	<i>Standard</i>	<i>Optional</i>	
Left	10 deg.	20 deg.	
Right	40 deg.	50 deg.	
Tires/Wheels			
	<i>Front</i>	<i>Rear</i>	
With MFWD	12X16.5 12 PR R4, XD2010	16.9-24 R4, 8-ply Galaxy	
Serviceability			
Refill Capacities			
Cooling System			
Cab	30.0 L (31.7 qt.)		
Canopy	28.2 L (29.8 qt.)		
Rear Axle	18 L (19 qt.)		
Engine Oil (including vertical spin-on filter)	13 L (13.7 qt.)		
Torque Converter and Transmission	15.1 L (16 qt.)		
Fuel Tank (with ground-level fueling)	117.3 L (31 gal.)		
Diesel Exhaust Fluid (DEF) Tank	14.3 L (3.8 gal.)		
Hydraulic System	111.7 L (29.5 gal.)		
Hydraulic Reservoir	42.7 L (11.3 gal.)		
MFWD Axle			
Differential Housing	6.5 L (6.9 qt.)		
Planetary (each)	0.9 L (1 qt.)		

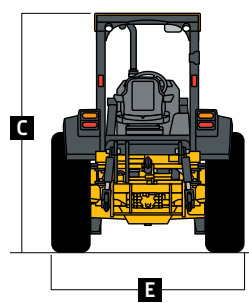
210 P-TIER

While general information, pictures, and descriptions are provided, some illustrations and text may include product options and accessories NOT AVAILABLE in all regions, and in some countries products and accessories may require modifications or additions to ensure compliance with the local regulations of those countries.

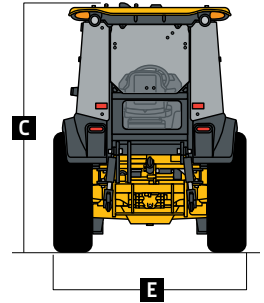
Operating Weights		210 P-TIER
With Full Fuel Tank, 75-kg (165 lb.) Operator, Canopy, and Standard Equipment		5744 kg (12,664 lb.)
Typical With Canopy, 454-kg (1,000 lb.) Wheel Weights, and 2134-mm (84 in.) Box Blade		6878 kg (15,163 lb.)
Optional Components		
Cab (weight difference between canopy and cab)		63 kg (139 lb.)
Box Blade		
2134 mm (84 in.)		680 kg (1,499 lb.)
2235 mm (88 in.)		696 kg (1,534 lb.)
Wheel Weights		454 kg (1,000 lb.)
Hitch Weights		318 kg (700 lb.) / 680 kg (1,500 lb.)
Front Loader Coupler		125 kg (276 lb.)

Overall Dimensions		
A	Ground Clearance, Minimum	262 mm (10.3 in.)
B	Overall Length, Transport (without box blade)	5.31 m (17 ft. 5 in.)
C	Transport Height	
	Canopy	2.62 m (8 ft. 7 in.)
	Cab	2.64 m (8 ft. 8 in.)
D	Length From Axle to Axle (MFWD axle)	2.19 m (7 ft. 2 in.)
E	Width Over Tires	2.20 m (7 ft. 3 in.)

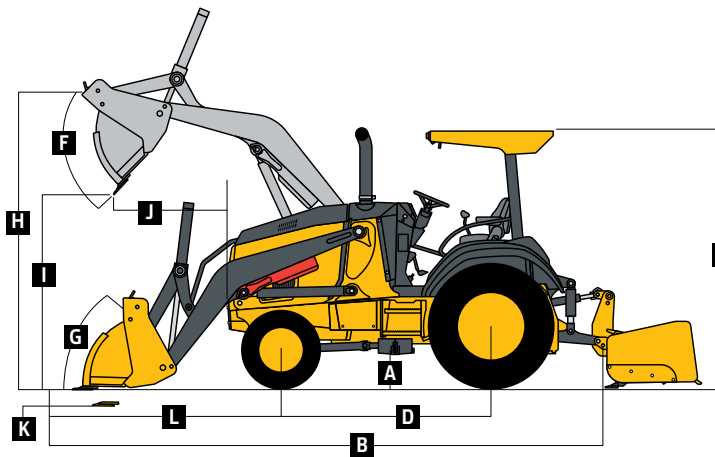
3-Point Hitch Dimensions and Performance		
	Hitch Downforce (excluding attachment weight)	8 kN (1,790 lb.)
	Lift Capacity, Static at Lower Link	3914 kg (8,629 lb.)
	Lower Hitch Point Height	
	Maximum	780 mm (30.7 in.)
	Minimum	213 mm (8.4 in.)



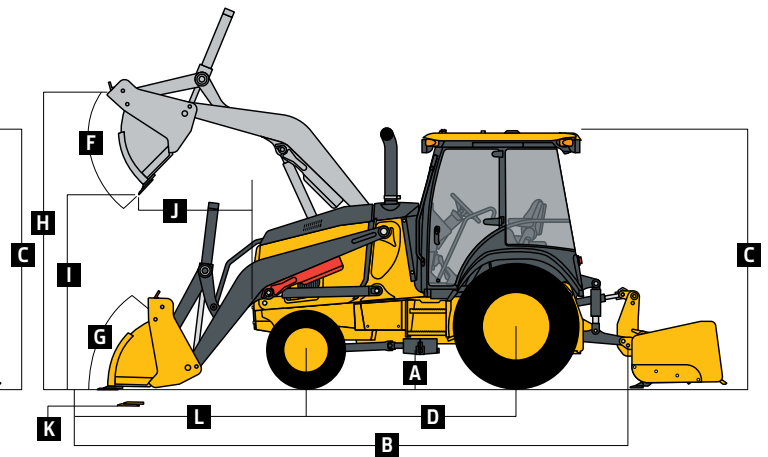
210 P-Tier With Canopy



210 P-Tier With Cab



210 P-Tier Tractor Loader With Canopy



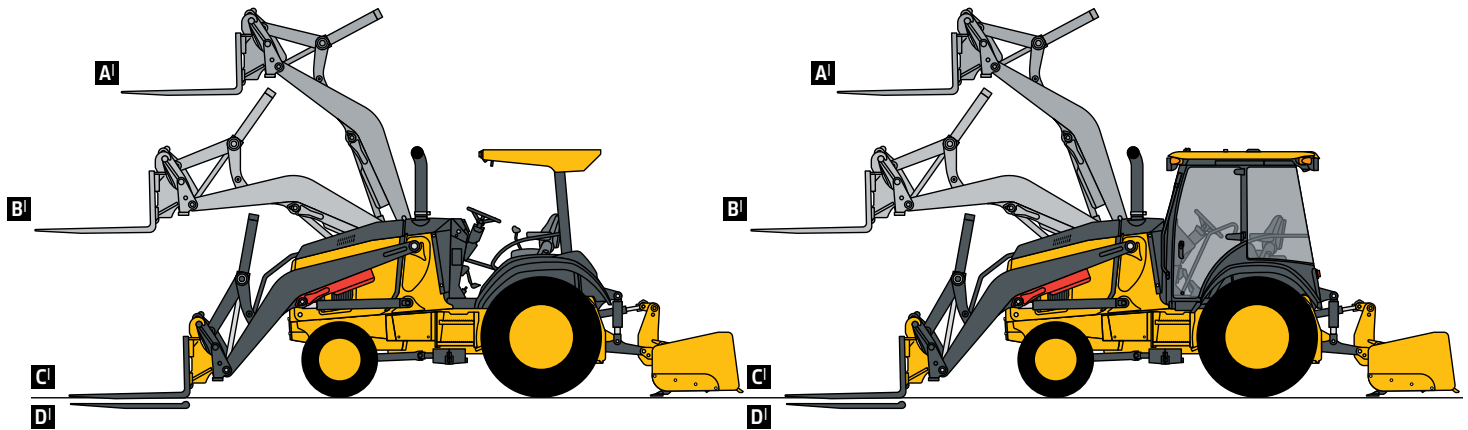
210 P-Tier Tractor Loader With Cab

While general information, pictures, and descriptions are provided, some illustrations and text may include product options and accessories NOT AVAILABLE in all regions, and in some countries products and accessories may require modifications or additions to ensure compliance with the local regulations of those countries.

210 P-TIER

Loader Dimensions and Performance	210 P-TIER		
F Bucket Dump Angle, Maximum	45 deg.		
G Rollback Angle at Ground Level	40 deg.		
Bucket	<i>Heavy-duty</i>	<i>Multipurpose</i>	<i>Heavy-duty coupler</i>
Capacity	0.86 m ³ (1.12 cu. yd.)	0.96 m ³ (1.25 cu. yd.)	1.00 m ³ (1.31 cu. yd.)
Width	2184 mm (86 in.)	2184 mm (86 in.)	2346 mm (92 in.)
Weight	390 kg (860 lb.)	794 kg (1,750 lb.)	480 kg (1,058 lb.)
Breakout Force (with wheel weights and box blade)	42.3 kN (9,521 lb.)	36.7 kN (8,245 lb.)	39.3 kN (8,824 lb.)
Lift Capacity, Full Height (with wheel weights and box blade)	2876 kg (6,340 lb.)	2529 kg (5,575 lb.)	2,641 kg (5,822 lb.)
H Height to Bucket Hinge Pin, Maximum	3.36 m (11 ft. 0 in.)		
I Dump Clearance, Bucket at 45 deg.	2.66 m (8 ft. 9 in.)		
J Reach at Full Height, Bucket at 45 deg.	765 mm (30.1 in.)		
K Digging Depth Below Ground, Bucket Level	197 mm (7.8 in.)		
L Length From Front Axle Centerline to Bucket Cutting Edge	2.04 m (6 ft. 8 in.)		

Lift Capacity With Quick-Coupler Forks	210 P-TIER	
Hydraulic Capacity	<i>1219-mm (48 in.) Tines</i>	<i>1524-mm (60 in.) Tines</i>
A Maximum Height	1664 kg (3,668 lb.)	1548 kg (3,413 lb.)
B Maximum Reach	2667 kg (5,880 lb.)	2508 kg (5,529 lb.)
C At Ground Line	3374 kg (7,438 lb.)	3184 kg (7,019 lb.)
D Below Ground Line	312 mm (12.3 in.)	312 mm (12.3 in.)
Rated Capacity of Tines	3900 kg (8,598 lb.)	
Rated Load per SAE J1197		



210 P-Tier Tractor Loader With Canopy

210 P-Tier Tractor Loader With Cab

Power Takeoff (PTO) Specs and Performance	210 P-TIER
Type	Dedicated hydrostatic system (pump, motor, and cooling package) suitable for continuous, heavy-duty PTO operations
Hydromechanical 540-rpm PTO	41 kW (55 hp)

Additional equipment

Key: ● Standard ▲ Optional or special

See your John Deere dealer for further information.

210 P Engine

- Vertical spin-on engine oil filter
- Vertical spin-on fuel filter with water separator
- Coolant recovery tank with low-level indicator
- Serpentine belt with automatic belt tensioner
- Oil-to-water engine oil cooler
- Antifreeze, -37 deg. C (-34 deg. F)
- Dual-element dry-type air cleaner
- Enclosed safety fan guard
- Fold-out, hinged cooling system
- Electronically controlled, variable-rate suction-type cooling fan
- High ambient temperature engine cooling
- Muffler, under hood with curved-end exhaust stack
- Self-cleaning exhaust aftertreatment system
- Grid heat
- Eco mode
- ▲ Electric engine coolant heater, 1,000 watts
- Electronic fuel lift pump

Powertrain

- PowerShift™ transmission: Torque converter with twist-grip Transmission Control Lever (TCL) and neutral safety switch interlock (1st through 4th gears)
- Transmission oil cooler
- Vertical spin-on transmission filter
- Differential lock, electric foot actuated

210 P Powertrain (continued)

- Power-assisted hydraulic service brakes (conform to ISO 3450): Inboard, wet multi-disc, self-adjusting and self-equalizing
 - Parking/emergency brake with electric switch control (conforms to ISO 3450): Spring applied, hydraulically released wet multi-disc / Independent of service brakes
 - Mechanical-front-wheel drive (MFWD), standard differential, sealed axle
 - ▲ MFWD, limited slip, sealed axle
 - ▲ Transmission guard
 - ▲ MFWD driveshaft guard
- ## Category II 3-Point Hitch
- Integral Category II
 - 4th-function sectional hydraulic valve, 4th-function auxiliary with capped hoses
 - ▲ 5th-function hitch valve with control lever, dual-tilt cylinder

Loader

- Hydraulic self-leveling
- Return-to-dig feature
- Bucket-level indicator
- Loader boom service lock
- ▲ Auxiliary loader hydraulics with single control lever with electrohydraulic auxiliary control (MFWD and clutch disconnect)
- Palm-on-top loader control; single-button clutch disconnect
- ▲ Palm-on-top loader control; 3-function fingertip control (clutch disconnect, MFWD, and proportional auxiliary roller)
- ▲ Ride control

210 P Hydraulic System

- 109-L/m (28.9 gpm) rated flow, loader pump
- 45-L/m (12.0 gpm) rated flow, hitch pump
- Independent hydraulic reservoir
- Independent hydraulic oil cooler
- "O"-ring face-seal connectors
- ▲ Grade-Control Ready
- ▲ Grade indication

Electrical

- 12-volt system
- 145-amp alternator (canopy or cab)
- Single battery with 175-min. reserve capacity and 950 CCA
- ▲ Dual batteries with 350-min. reserve capacity and 1,900 CCA
- Positive terminal battery cover
- Blade-type multi-fused circuits
- By-pass start safety cover on starter
- ▲ Battery disconnect

Lights

- For cab and canopy: Front driving/working halogen (2) / Turn signal/flashing lights (2) / Rear stop and taillights (2) / Rear reflectors (2)
- ▲ Deluxe electrical package for canopy: Front worklights (2), rear worklights (2), 12-volt outlets (2), and battery-disconnect switch
- ▲ Premium LED lighting package for canopy: Front worklights (2), rear worklights (2), side worklights (2), 12-volt outlets (2), and battery-disconnect switch

While general information, pictures, and descriptions are provided, some illustrations and text may include product options and accessories NOT AVAILABLE in all regions, and in some countries products and accessories may require modifications or additions to ensure compliance with the local regulations of those countries.

Net engine power is with standard equipment including air cleaner, exhaust system, alternator, and cooling fan at test conditions specified per ISO 9249. Specifications and design subject to change without notice. Wherever applicable, specifications are in accordance with SAE and/or ISO standards. Except where otherwise noted, these specifications are based on a unit with 16.9-24 R4, 8-ply Galaxy rear tires, 12X16.5 12 PR R4, XD2010 front tires, 0.86-m³ (1.12 cu. yd.) loader bucket, full fuel tank, and 75-kg (165 lb.) operator.

Additional equipment *(continued)*

Key: ● Standard ▲ Optional or special

See your John Deere dealer for further information.

210 P Operator's Station

- **Canopy:** 2-post, ROPS/FOPS (Level 1 / meets ISO 3471/SAE J1040), steel roof
- ▲ **Cab:** ROPS/FOPS (Level 1 / meets ISO 3471/SAE J1040), air conditioning (7.6-kW [26,000 Btu/h] output and CFC-free R-134a refrigerant), headliner, dome light, tinted safety glass, deluxe interior trim, molded floor mats, left cab door, right emergency egress, front windshield wiper, front windshield washer, heater/defroster/pressurizer (11.7-kW [40,000 Btu/h] heater), 12-volt outlets (2), rear working lights (2), and 50-deg. (10 left, 40 right) rotating mechanical-suspension cloth seat
- Electric monitor system with audible and/or visual warning: Service code / Air cleaner restriction / Low alternator voltage / Engine coolant temperature / Engine oil pressure / Hydraulic filter restriction / Park brake on/off / Seat belt / Transmission oil temperature / Hour meter / Engine rpm / System voltage / Job timer / Machine information
- Engine coolant temperature gauge and fuel gauge
- Left front access
- Slip-resistant steps and ergonomically located handholds
- Built-in Operator's Manual storage compartment with manual

210 P Operator's Station *(continued)*

- Interior rearview mirror
 - Foot throttle
 - ▲ Hand throttle
 - Horn
 - Key start switch with electric fuel shutoff
 - Suspension vinyl seat, 50-deg. (10 left, 40 right) rotating with flip-up armrests, backrest angle adjustment, swivel base, and 76-mm (3 in.) retractable seat belt
 - ▲ Non-suspension vinyl seat, 50-deg. (10 left, 40 right) rotating with flip-up armrests and 76-mm (3 in.) retractable seat belt
 - ▲ Suspension cloth fabric seat, 50-deg. (10 left, 40 right) rotating with flip-up armrests, backrest angle adjustment, swivel base, and 76-mm (3 in.) retractable seat belt (for use with optional cab)
 - ▲ Enhanced mechanical suspension seat, 70-deg. (20 left, 50 right) rotating with flip-up armrests and tilt steering
- ### Loader Buckets
- Less bucket, with bucket pins
 - ▲ General-purpose bucket with cutting edge and skid plates
 - ▲ Heavy-duty bucket
 - ▲ Multipurpose bucket with cutting edge and skid plates
 - ▲ Loader coupler

210 P Box Blade

- ▲ 2134-mm (84 in.) heavy-duty with hydraulically actuated ripper bar and replaceable router bits
 - ▲ 2235-mm (88 in.) heavy-duty with hydraulically actuated ripper bar and replaceable router bits
- ### Overall Vehicle
- 1-piece unitized construction mainframe
 - Vehicle tie-downs (2 front and 2 rear)
 - Vandal protection for instrument panel, access doors, fuel tank, and hydraulic reservoir
 - Reverse warning alarm
 - ▲ Rear-hitch counterweight (318 kg [700 lb.][†] and 680 kg [1,500 lb.])
 - ▲ Wheel weights
 - ▲ Hydromechanical power takeoff (PTO), 41 kW (55 hp), 540 rpm
 - ▲ Drawbar, fixed single position
 - ▲ Machine security
 - ▲ Tilt steering
 - ▲ French language kit
 - ▲ Spanish language kit
 - JDLink™ wireless communication system (available in specific countries; see your dealer for details)

[†]Compatible with PTO.

While general information, pictures, and descriptions are provided, some illustrations and text may include product options and accessories NOT AVAILABLE in all regions, and in some countries products and accessories may require modifications or additions to ensure compliance with the local regulations of those countries.

Net engine power is with standard equipment including air cleaner, exhaust system, alternator, and cooling fan at test conditions specified per ISO 9249. Specifications and design subject to change without notice. Wherever applicable, specifications are in accordance with SAE and/or ISO standards. Except where otherwise noted, these specifications are based on a unit with 16.9-24 R4, 8-ply Galaxy rear tires, 12X16.5 12 PR R4, XD2010 front tires, 0.86-m³ (1.12 cu. yd.) loader bucket, full fuel tank, and 75-kg (165 lb.) operator.




ML210PAU (24-04)

 **JOHN DEERE**