

700L

Dozer



JOHN DEERE



PACKED TO POWER YOUR PRODUCTIVITY

When you work in site development, roadbuilding, or material handling, you need to get the most from your equipment and your operators. We've relied on input from real-world customers like you to design and manufacture our dozers for nearly 75 years. The John Deere 700L features some of your best ideas, like generous horsepower, reliable systems, durable components, and flexible grade-control solutions that can be easily and economically upgraded. And because retaining skilled and productive operators is always a priority, we've made the operating experience an important part of what the 700L Dozer has to offer.

Quiet comfort and control

A 17-percent-larger cab than the previous model features more glass area, larger doors, and a streamlined hood profile, optimizing comfort and visibility to the blade ahead and the surrounding jobsite. Rubber-encased viscous cab mounts isolate the operator from ride vibration and reduce noise by over 50 percent compared to the 700K. Ergonomic joysticks enable intuitive, low-effort command of the transmission, hydraulics, and rear implement, and also include proportional blade-angle control.

Performance assessment

Unlike many competitor machines that run four-cylinder engines, the 700L features a reliable six-cylinder 6.8L engine that delivers more power than the previous model. The 700L has the highest horsepower and largest blade capacity in its size class. Fuel consumption was improved by 4.5 percent compared to the 700K, reducing operating costs and increasing efficiency.

Hydrostatic dynamics

The John Deere hydrostatic system simplifies operation and redefines durability. Each track has its own independent hydrostatic pump and motor, and the blade and ripper functions have their own independent hydraulic pump, allowing both transmission and hydraulic operating characteristics to be tailored to individual preference without sacrificing hydraulic speed. And heavy loads can be carried through turns and counter-rotations while the dozer is in gear or neutral.

At your service

Routing of the electrical and hydraulic systems has been significantly simplified to nearly eliminate wear points, improving reliability and ease of maintenance over earlier models. Enlarged service doors provide quick access to conveniently located check-points and filters. Hydraulic and hydrostatic oil-change intervals extended from 2,000 to 4,000 hours help further minimize maintenance and expense.





GRADE-MANAGEMENT SOLUTIONS

Our suite of factory-integrated grade-management technologies including optional 2D Slope Control and SmartGrade™ 3D grade control simplify difficult grading tasks. These intuitive offerings are easy for operators of any experience level to master. All technology options are fully supported by the John Deere dealer network and can be efficiently upgraded as your operation evolves:

- **Slope Control** assists in grading and maintaining flat, smooth, and sloping surfaces. Operators can view and set blade slope while the system automatically controls the blade to the desired slope percentage.
- Fully integrated **SmartGrade** features next-generation components and integration, enabling the highest levels of productivity and grading performance.
- Standard **electrohydraulic (EH) controls** make it easy to add the grade-control system of your choice.



GRADE-MANAGEMENT OPTIONS
**STREAMLINE
GRADING TASKS &
LEARNING CURVES**

Turn, turn, turn

Independent track control speeds up or slows down each side, for smooth, full-power turns. Automatic power boost helps carry big blade loads through turns.

All about the blade

Integrated welded-on spill sheet on the 700L increases blade capacity up to 24 percent compared to 700K blade options. It also helps reduce damage caused by material spillage behind the blade.

Opt for easier workdays

Optional automatic temperature control (ATC) system allows operators to select a desired temperature instead of fiddling with knobs to get comfortable. Both the standard deluxe fabric-covered seat and optional premium leather-accented heated/ventilated seat help enhance the in-cab experience. Add an optional rearview camera to see behind the dozer on the color monitor.

Tough to take it on

The 700L has been beefed-up with thicker sheet metal and a heavier-duty mainframe than previous models. A durable heavy-duty undercarriage comes standard. Or opt for Extended Life undercarriage with SC-2™-treated bushings, a proven parts coating that delivers up to twice the wear life. Maximum Life undercarriage, with larger components and stronger seals, is also available.

Every drop counts

Standard Eco mode adjusts engine power and transmission settings automatically based on load while maintaining ground speed, improving fuel economy up to 15 percent over the previous series with no loss of productivity. Auto-idle also helps save fuel by reducing engine speed when the dozer isn't moving. Auto shut-down turns the engine off after an operator-determined period of idling, further minimizing fuel use while reducing wear on components.



**UP TO 15% LESS
FUEL CONSUMPTION
THAN K-SERIES MODEL
WITH ECO MODE***

*With no loss of productivity.



700L DOZER



Clear the way

Factory-installed limb risers and screens allow you to put this versatile dozer to work in forestry, land-clearing, and other challenging applications.

Precision Construction

From grade management and obstacle detection to product automation features and jobsite intelligence, this suite of construction technology delivers productivity solutions to help you get more done, more efficiently.

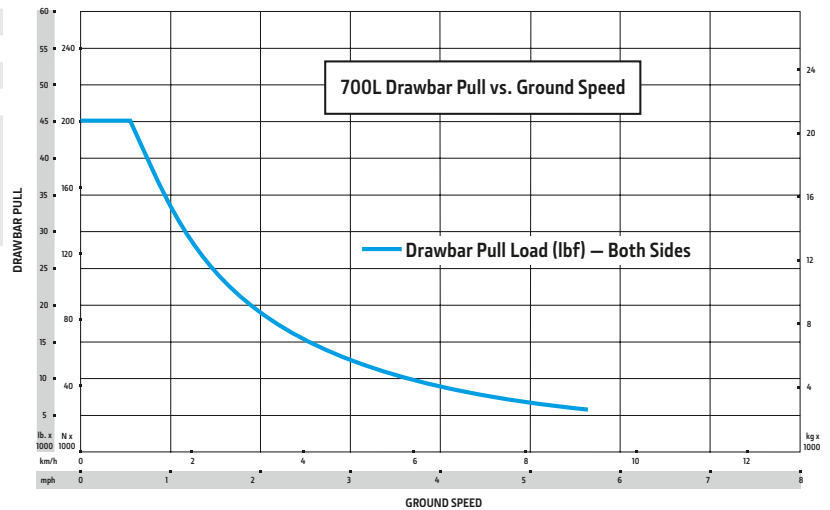
John Deere construction equipment comes with in-base connectivity — free from subscriptions or annual renewals. Analyze critical machine data, track utilization, review diagnostic alerts, and more from **the John Deere Operations Center™**. The Operations Center also enables **John Deere Connected Support™**, which uses data from thousands of connected machines to proactively address issues before they arise. Your dealer can also remotely monitor machine health, diagnose problems, and even update machine software without a trip to the jobsite.*

*Availability varies by region and product. Options not available in every country.



700L DOZER SPECIFICATIONS

Engine	700L XLT / 700L LGP
Blade Type	Power-Angle-Tilt (PAT)
Manufacturer and Model	John Deere PowerTech™ PVS 6068
Non-Road Emission Standard	EPA Final Tier 4/EU Stage V
Displacement	6.8L (414 cu. in.)
SAE Net Rated Power	101 kW (135 hp) at 1,800 rpm
Aspiration	Turbocharged with charge-air cooler
Air Cleaner	Dual-stage dry tube with tangential unloader
Cooling	
Type	Variable-speed suction fan with optional reversing feature
Engine Coolant Rating	-37 deg. C. (-34 deg. F)
Engine Radiator	10 fins per in.
Powertrain	
Transmission	Automatic, dual-path, hydrostatic (HST) drive; load-sensing feature automatically adjusts speed and power to match changing load conditions; each individually controlled track is powered by a variable-displacement piston pump and motor combination; ground-speed selection buttons on single-lever steering and direction control; reverse speed ratio is fully operator customizable; decelerator pedal provides infinite speed control from full speed to complete stop
System Relief Pressure	47 573 kPa (6,900 psi)
Travel Speeds	
Forward and Reverse	8.9 km/h (5.5 mph)
Maximum (optional)	9.7 km/h (6.0 mph)
Steering	Single-lever steering, speed, direction control, and counter-rotation; full power turns and infinitely variable track speeds provide unlimited maneuverability and optimum control; HST steering eliminates steering clutches and brakes
Final Drives	Triple-reduction final drives mounted independently of track frames and dozer push frames for isolation from shock loads
Total Ratio	33.59 to 1
Drawbar Pull	
Maximum	200 kN (45,050 lb.)
At 1.9 km/h (1.2 mph)	131 kN (29,500 lb.)
At 3.2 km/h (2.0 mph)	83 kN (18,600 lb.)
Brakes	
Service	HST (dynamic) braking stops the machine whenever the direction-control lever is moved to neutral or the decelerator is depressed to the detent
Parking	Exclusive safety feature engages wet, multiple-disc brakes whenever the engine stops, the decelerator is depressed to the end of travel, or motion is detected while the transmission control is in neutral; machine cannot be driven with brake applied, minimizing wearout; spring applied, hydraulic release
Hydraulics	
Type	Open-center hydraulic system with fixed-displacement gear pump
Pump Displacement	47.5 cc
System Relief Pressure	22 063 kPa (3,200 psi)
Maximum Flow at Unloaded High Idle	95 L/m (25 gpm)
Control	3-function electrohydraulic (EH) joystick with proportional roller-angle function
Electrical	
Voltage	24 volts
Capacity	
Battery	950 CCA
Reserve	175 min.



While general information, pictures, and descriptions are provided, some illustrations and text may include product options and accessories NOT AVAILABLE in all regions, and in some countries products and accessories may require modifications or additions to ensure compliance with the local regulations of those countries.

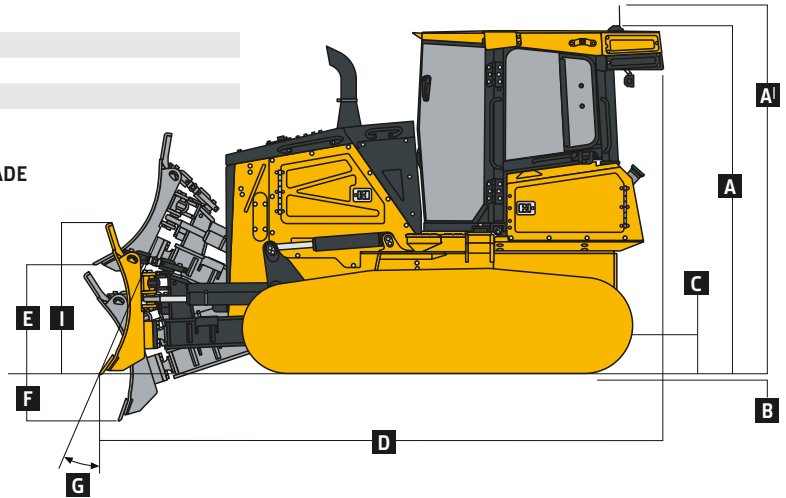
Electrical <i>(continued)</i>	700L XLT / 700L LGP			
Blade Type	PAT			
Alternator Rating				
Cab	145 amp			
Canopy	110 amp			
Lights				
Halogen	Cab-mounted front (2) and cab-mounted rear (2)			
Premium LED	Cab-mounted front (4) and cab-mounted rear (2)			
Undercarriage	700L XLT	700L LGP		
Tracks	John Deere features large deep-heat-treated components; pins and bushings are sealed for life; rollers and idlers are permanently sealed and lubricated; sprockets are segmented; full-length track-frame covers reduce material buildup and ease cleaning			
Track Gauge	1778 mm (70 in.)	1778 mm (70 in.)	1981 mm (78 in.)	1981 mm (78 in.)
Grouser Width	559 mm (22 in.)	559 mm (22 in.)	760 mm (30 in.)	760 mm (30 in.)
Chain	Sealed and lubricated	Sealed and lubricated	Sealed and lubricated	Sealed and lubricated
Shoes, Each Side	39	39	39	39
Track Rollers, Each Side	7	7	7	7
Track Length on Ground	2615 mm (103 in.)	2615 mm (103 in.)	2615 mm (103 in.)	2615 mm (103 in.)
Ground Contact Area	32 569 cm ² (5,048 sq. in.)	32 569 cm ² (5,048 sq. in.)	44 201 cm ² (6,851 sq. in.)	44 201 cm ² (6,851 sq. in.)
Ground Pressure	42.2 kPa (6.12 psi)	42.3 kPa (6.14 psi)	32.1 kPa (4.66 psi)	32.3 kPa (4.68 psi)
Track Pitch	191 mm (7.5 in.)	191 mm (7.5 in.)	191 mm (7.5 in.)	191 mm (7.5 in.)
Oscillation at Front Roller	±94 mm (±3.7 in.)	±94 mm (±3.7 in.)	±94 mm (±3.7 in.)	±94 mm (±3.7 in.)
Operator Station	700L XLT / 700L LGP			
ROPS (ISO 3471 – 2008) and FOPS (ISO 3449 – 2005) Level II				
Serviceability				
Refill Capacities				
Fuel Tank With Lockable Cap	262 L (69.2 gal.)			
Diesel Exhaust Fluid (DEF) Tank	14.2 L (3.8 gal.)			
Cooling System With Recovery Tank	31.4 L (8.3 gal.)			
Engine Oil With Filter	28 L (7.4 gal.)			
Transmission/Hydraulic Reservoir With Filter	102 L (26.9 gal.)			
Operating Weights	700L XLT	700L LGP		
<i>Base Weight (with standard equipment, rollover protective structure [ROPS], full fuel tank, and 79-kg [175 lb.] operator)</i>	14 016 kg (30,900 lb.)	14 049 kg (30,973 lb.)	14 489 kg (31,943 lb.)	14 555 kg (32,088 lb.)
Optional Components				
Cab With Pressurizer and Heater/ Air Conditioner	230 kg (507 lb.)	230 kg (507 lb.)	230 kg (507 lb.)	230 kg (507 lb.)
Rear Screen				
ROPS Canopy	28 kg (62 lb.)	28 kg (62 lb.)	28 kg (62 lb.)	28 kg (62 lb.)
Cab With Air Conditioner	49 kg (108 lb.)	49 kg (108 lb.)	49 kg (108 lb.)	49 kg (108 lb.)
Screens – Full Enclosure, Cab With Air Conditioner	219 kg (483 lb.)	219 kg (483 lb.)	219 kg (483 lb.)	219 kg (483 lb.)
Limb Risers (ROPS canopy and cab)	182 kg (401 lb.)	182 kg (401 lb.)	182 kg (401 lb.)	182 kg (401 lb.)
Heavy-Duty Grille	13 kg (29 lb.)	13 kg (29 lb.)	13 kg (29 lb.)	13 kg (29 lb.)
Counterweight				
Front	144 kg (317 lb.)	144 kg (317 lb.)	144 kg (317 lb.)	144 kg (317 lb.)
Rear	468 kg (1,032 lb.)	468 kg (1,032 lb.)	468 kg (1,032 lb.)	468 kg (1,032 lb.)
Retrieval Hitch	31 kg (68 lb.)	31 kg (68 lb.)	31 kg (68 lb.)	31 kg (68 lb.)
Drawbar, Extended Rigid	93 kg (205 lb.)	93 kg (205 lb.)	93 kg (205 lb.)	93 kg (205 lb.)
Winch	652 kg (1,437 lb.)	652 kg (1,437 lb.)	652 kg (1,437 lb.)	652 kg (1,437 lb.)
Fairlead, 4 Roller	85 kg (187 lb.)	85 kg (187 lb.)	85 kg (187 lb.)	85 kg (187 lb.)
Full-Length Rock Guards	155 kg (342 lb.)	155 kg (342 lb.)	155 kg (342 lb.)	155 kg (342 lb.)
Maximum Life Undercarriage	211 kg (465 lb.)	211 kg (465 lb.)	211 kg (465 lb.)	211 kg (465 lb.)
Track Shoes				
559 mm (22 in.)	In base	In base	–507 kg (–1,118 lb.)	–507 kg (–1,118 lb.)
610 mm (24 in.)	–	–	–392 kg (–864 lb.)	–392 kg (–864 lb.)
760 mm (30 in.)	–	–	In base	In base

While general information, pictures, and descriptions are provided, some illustrations and text may include product options and accessories NOT AVAILABLE in all regions, and in some countries products and accessories may require modifications or additions to ensure compliance with the local regulations of those countries.

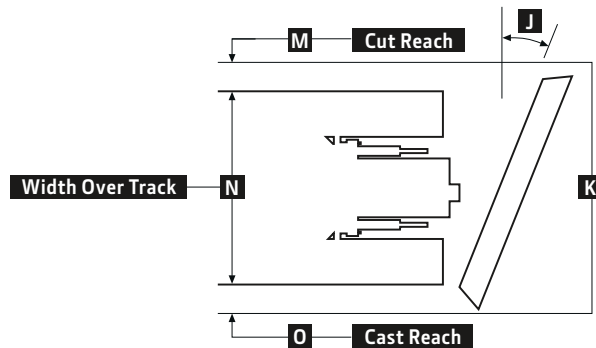
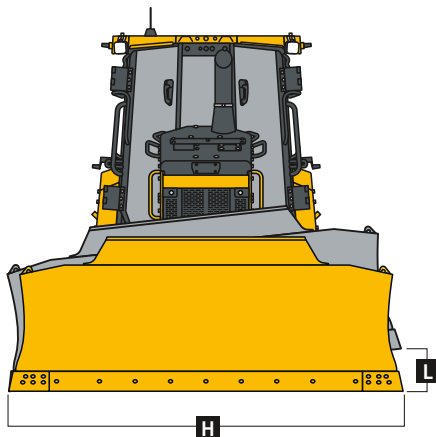
700L DOZER SPECIFICATIONS (continued)

Machine Dimensions	700L XLT / 700L LGP
Blade Type	Power-Angle-Tilt (PAT)
A Overall Height to Roof (includes antenna base)	3047 mm (10 ft. 0 in.)
A^I Overall Height With Limb Risers	3138 mm (10 ft. 4 in.)
B Tread Depth With Single-Bar Grouser	56 mm (2.2 in.)
C Ground Clearance in Dirt	387 mm (15.2 in.)
D Overall Length	4906 mm (193 in.) (16 ft. 1 in.)
D^I Overall Length With Extended Drawbar	5078 mm (200 in.) (16 ft. 8 in.)
D^{II} Overall Length With Extended Drawbar and Rear Counterweight	5205 mm (205 in.) (17 ft. 1 in.)
D^{III} Overall Length With Winch and Fairlead Rollers	5474 mm (216 in.) (18 ft. 0 in.)
E Blade Lift Height	977 mm (38 in.) (3 ft. 2 in.)
F Blade Digging Depth	536 mm (21 in.)
G Blade Cutting Edge Angle, Adjustable	51.2 to 58.3 deg.

700L XLT / 700L LGP WITH POWER-ANGLE-TILT (PAT) BLADE



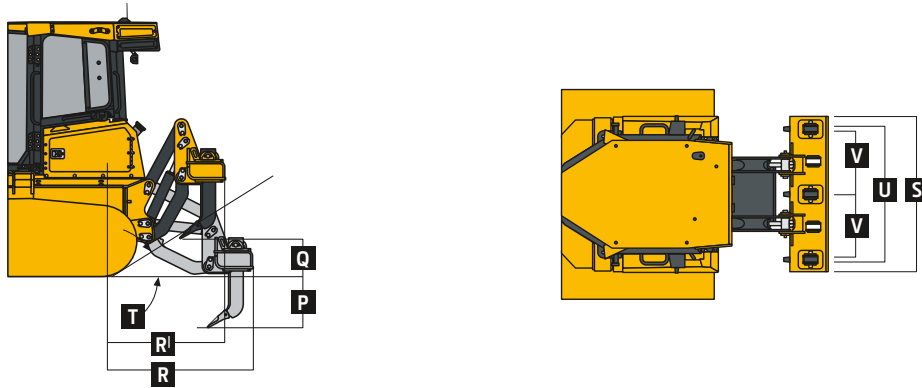
Machine Dimensions (continued)	700L XLT		700L LGP	
Straight				
H Blade Width	3077 mm (121 in.) (10 ft. 1 in.)	3231 mm (127 in.) (10 ft. 7 in.)	3383 mm (133 in.) (11 ft. 1 in.)	3688 mm (145 in.) (12 ft. 1 in.)
I Blade Height	1322 mm (52 in.) (4 ft. 4 in.)	1322 mm (52 in.) (4 ft. 4 in.)	1322 mm (52 in.) (4 ft. 4 in.)	1322 mm (52 in.) (4 ft. 4 in.)
SAE Capacity	3.4 m ³ (4.4 cu. yd.)	3.5 m ³ (4.6 cu. yd.)	3.6 m ³ (4.8 cu. yd.)	3.9 m ³ (5.1 cu. yd.)
Weight	811 kg (1,788 lb.)	844 kg (1,861 lb.)	875 kg (1,929 lb.)	941 kg (2,075 lb.)
C-Frame Assembly Weight (without blade)	803 kg (1,770 lb.)	803 kg (1,770 lb.)	803 kg (1,770 lb.)	803 kg (1,770 lb.)
J Blade Angle	25 deg.	25 deg.	25 deg.	25 deg.
K Overall Width With Blade Angled	2808 mm (111 in.) (9 ft. 3 in.)	2912 mm (115 in.) (9 ft. 7 in.)	3049 mm (120 in.) (10 ft. 0 in.)	3324 mm (131 in.) (10 ft. 11 in.)
L Blade Tilt	426 mm (17 in.)	447 mm (18 in.)	468 mm (18 in.)	510 mm (20 in.)
M Cut Reach	0 mm (0 in.)	64 mm (3 in.)	133 mm (5 in.)	270 mm (11 in.)
N Width Over Track	2338 mm (92 in.) (7 ft. 8 in.)	2338 mm (92 in.) (7 ft. 8 in.)	2741 mm (108 in.) (9 ft. 0 in.)	2741 mm (108 in.) (9 ft. 0 in.)
O Cast Reach	441 mm (17 in.)	510 mm (20 in.)	378 mm (15 in.)	515 mm (20 in.)



While general information, pictures, and descriptions are provided, some illustrations and text may include product options and accessories NOT AVAILABLE in all regions, and in some countries products and accessories may require modifications or additions to ensure compliance with the local regulations of those countries.

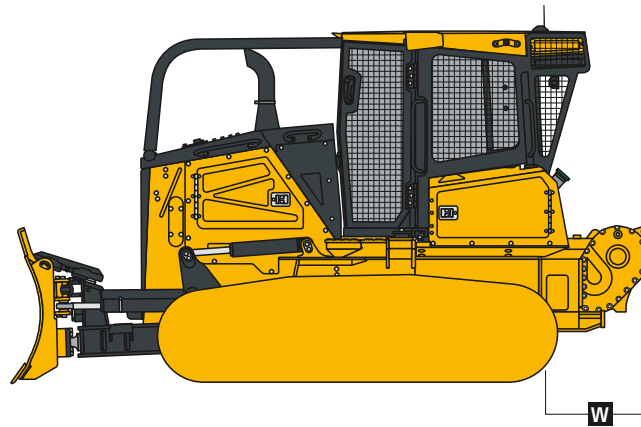
Rear Ripper 700L XLT / 700L LGP

Blade Type	PAT
Multi-shank parallelogram ripper with 5 pockets and 3 shanks	
Weight	1444 kg (3,183 lb.)
P Maximum Penetration	563 mm (22 in.)
Q Maximum Clearance Under Tip	584 mm (23 in.)
R Overall Length, Lowered Position	1494 mm (59 in.) (4 ft. 11 in.)
R^l Overall Length, Raised Position	1210 mm (48 in.) (4 ft. 0 in.)
S Overall Beam Width	1930 mm (76 in.) (6 ft. 4 in.)
T Slope Angle (full raise)	26 deg.
U Ripping Width	1673 mm (66 in.) (5 ft. 6 in.)
V Distance Between Shanks	806 mm (32 in.)



4000S Winch 700L XLT / 700L LGP

W Winch Length	798 mm (31 in.)
-----------------------	-----------------



Additional equipment

Key: ● Standard ▲ Optional or special

See your John Deere dealer for further information.

700L Engine	700L Cooling	700L Hydraulic System
● Meets EPA Final Tier 4/EU Stage V emissions	● Hydraulically driven cooling fan, variable-speed suction type	● Electrohydraulic (EH) system with fixed-displacement hydraulic gear pump
● John Deere PowerTech™ PVS 6068 6.8L engine	● Engine cooling rated -37 deg. C (-34 deg. F)	● 3-spool EH control valve for Power-Angle-Tilt (PAT)
● Wet-sleeve cylinder liners	▲ Automatic, programmable reversing fan	▲ 4-spool EH control valve for PAT with single auxiliary
● Eco mode	● Engine radiator, hydrostatic (HST) cooler, and hydraulic cooler, 10 fins per inch	● Grade-control-ready EH hydraulics
● Exhaust stack, black	● Enclosed safety fan guard (conforms to SAE J1308 and ISO 3457)	▲ SmartGrade™ ready including Slope Control system
▲ Exhaust stack, chrome	● Single-plane non-stacked cooler design	▲ SmartGrade 3D mastless grade control including Slope Control
● Turbocharged and air-to-air after-cooled	Powertrain	● Hydrau™ All-Season Hydraulic Oil, -25 deg. C to 50 deg. C (-13 deg. F to 122 deg. F)
● Dual-element dry-canister air cleaner	● Dual-path HST transmission	▲ Hydrau™ XR Hydraulic Oil, -40 deg. C to 40 deg. C (-40 deg. F to 104 deg. F)
● Engine glow-plug starting system	● Reverse-speed ratios (100%, 115%, and 130% presets or operator defined)	● Hydraulic pump, standard
● Programmable auto engine shutdown	● Operator-selectable decelerator function (hydrostats and engine or hydrostats only)	▲ Hydraulic pump for direct-drive winch
● Automatic turbo cool-down timer	● Single-lever steering with counter-rotate function	Undercarriage
● Exhaust filter, under hood, with vertical stack	● Full power turns with infinitely variable track speed	● Full-length, smooth-surface track frame covers
● Fuel filters with automatic electronic priming	● HST (dynamic) service brakes	● Double-flange rollers
▲ Severe-duty fuel filter	● Wet, multi-disc parking brake	● Oscillating undercarriage
▲ Engine coolant heater, 120 volt	● Remote diagnostic test ports	● Maximum Life undercarriage system
● 110-amp alternator (canopy)	● Automatic cold-weather transmission warmup system	▲ Heavy-duty sealed and lubricated undercarriage
● 145-amp alternator (cab)	● Automatic transmission derating for exceeded system temperatures	▲ Extended Life undercarriage with SC-2™ bushings
		▲ Full-length rock guards

While general information, pictures, and descriptions are provided, some illustrations and text may include product options and accessories NOT AVAILABLE in all regions, and in some countries products and accessories may require modifications or additions to ensure compliance with the local regulations of those countries.

Net engine power is with standard equipment including air cleaner, exhaust system, alternator, and cooling fan at test conditions specified per ISO9249. No derating is required up to 3050-m (10,000 ft.) altitude. Also available: winches, fair-leads, log arches, skidding grapples, trash packages, landfill protection packages, cable plows, side booms, field-installed cab for canopy, canopy heater, and fire-suppression systems. Specifications and design subject to change without notice. Wherever applicable, specifications are in accordance with SAE standards. Except where otherwise noted, these specifications are based on a unit with ROPS, full fuel tank, and 79-kg (175 lb.) operator. Operator station ROPS and FOPS certified.

Additional equipment *(continued)*

Key: ● Standard ▲ Optional or special

See your John Deere dealer for further information.

700L Operator's Station

- ▲ Canopy cab with under-seat heater
- ▲ Enclosed cab with air/heat
- ▲ Automatic temperature control (ATC) system
- Standard seat, vinyl with heavy-duty air suspension (canopy)
- Deluxe seat, cloth with heavy-duty air-suspension (cab)
- ▲ Premium seat, leather-accented, heated and ventilated, with heavy-duty air-suspension (cab)
- Under-seat heater (canopy)
- AM/FM/Weather-Band (WB) radio with front auxiliary (cab)
- ▲ Premium radio with Bluetooth®, AM/FM/WB radio, remote auxiliary, and remote USB port (cab)
- Multifunction/multi-language 178-mm (7 in.) color LCD monitor: Tachometer, hour meter, transmission direction and speed (forward/reverse), exhaust filter status, ambient temperature, and clock
- Built-in diagnostics: Diagnostic-code details / Sensor values / Calibrations / Individual circuit tester
- Backup alarm
- ▲ Rearview camera

700L Operator's Station *(continued)*

- 12-volt accessory plug (1)
- ▲ Additional 12-volt accessory plug
- Keyless start with multiple security codes
- Retractable seat belt, 76 mm (3 in.) (conforms to SAE J368)
- ▲ Fire extinguisher mounting bracket
- ▲ External-mounted rear-attachment mirror (cab)
- Front, door, and rear wipers and washers (cab)

Overall Vehicle

- Environmental drain package
- ▲ Fluid-sample ports
- JDLink™ wireless machine communication system (available in specific countries; see your local dealer for details)
- ▲ Quick service ports (HST, hydraulic, and engine oil, and coolant)
- Halogen lights: cab-mounted front (2) and cab-mounted rear (2)
- ▲ Premium LED lights: cab-mounted front (4) and cab-mounted rear (2)
- ▲ Engine-compartment light
- ▲ Beacon light
- ▲ Trimble-ready interface package
- ▲ Leica-ready interface package

700L Overall Vehicle *(continued)*

- ▲ Heavy-duty grille
- ▲ Final-drive trash guards (waste applications)
- ▲ Full screens for cab
- ▲ Rear window screen
- ▲ Forestry limb risers (sweeps)
- Lockable master electrical disconnect switch

Attachments

- ▲ Rear ripper, parallelogram
- ▲ Counterweight, front, 144 kg (317 lb.)
- ▲ Single rear counterweight
- ▲ Retrieval hitch with pin
- ▲ Retrieval hitch with 1 counterweight
- ▲ Extended rigid drawbar
- ▲ Extended rigid drawbar with 1 counterweight
- ▲ Winch, John Deere 4000S, power in/free spool out OR power out
- ▲ 4-roller fairlead for winch

XLT LGP 700L Shoes

- ▲ 559-mm (22 in.) moderate service
- ▲ 610-mm (24 in.) moderate service
- 760-mm (30 in.) moderate service

While general information, pictures, and descriptions are provided, some illustrations and text may include product options and accessories NOT AVAILABLE in all regions, and in some countries products and accessories may require modifications or additions to ensure compliance with the local regulations of those countries.

Net engine power is with standard equipment including air cleaner, exhaust system, alternator, and cooling fan at test conditions specified per ISO9249. No derating is required up to 3050-m (10,000 ft.) altitude. Also available: winches, fair-leads, log arches, skidding grapples, trash packages, landfill protection packages, cable plows, side booms, field-installed cab for canopy, canopy heater, and fire-suppression systems. Specifications and design subject to change without notice. Wherever applicable, specifications are in accordance with SAE standards. Except where otherwise noted, these specifications are based on a unit with ROPS, full fuel tank, and 79-kg (175 lb.) operator. Operator station ROPS and FOPS certified.



DKALDZR700 (23-09)



JOHN DEERE