



## TECHNICAL DATA

### MASSES

Max. operating mass	10,100 lbs
Operating mass (incl. ROPS)	8,200 lbs
Module mass (front/rear)	4,100 lbs/4,100 lbs

### COMPACTION

Wheel load	1023 lbs/wheel
Static linear load	80 lbs/in
Water tank	79 gal
Emulsion tank	6.61 gal

### COMPACTION (SINGLE AMPLITUDE)

Centrifugal force	8550/6975 lbs
Nominal amplitude	0.02 in
Vibration frequency	3240/2940 vpm

### COMPACTION (OPTIONAL DUAL AMPLITUDE)

Centrifugal force (high/low amplitude)	8550/4725 lbs
Nominal amplitude (high/low)	0.02/0.008 in
Vibration frequency	3240/3660 vpm

### PROPULSION

Speed range	6 mph
Vertical oscillation	±10°
Max. theoretical gradeability	41 %

### ENGINE

Manufacturer/Model	Kubota V2203-M (IIIA)
Type	Water cooled diesel engine
Rated power, SAE J1995	35 kW (48 hp ) @ 2,700 rpm
Fuel tank capacity	16 gal

### ENGINE

Manufacturer/Model	Kubota V2403-CR E4B (T4)
Type	Water cooled diesel engine
Rated power, SAE J1995	37 kW (50 hp ) @ 2,700 rpm

### ENGINE

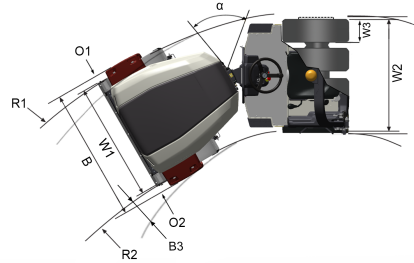
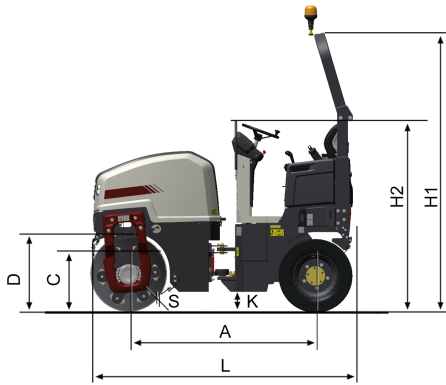
Manufacturer/Model	Kubota V2403-CR E5B (StageV)
Type	Water cooled diesel engine
Rated power, SAE J1995	37 kW (50 hp ) @ 2,700 rpm

### HYDRAULIC SYSTEM

Driving	Axial piston pump with variable displacement. Radial piston motors with constant displacement.
Vibration	Gear pump/motors with constant displacement.
Steering	Gear pump with constant displacement.
Service brake	Hydrostatic in forward and reverse lever.
Parking/ Emergency brake	Failsafe multidisc brake on drum and wheels.

Find us locally at [www.dynapac.com](http://www.dynapac.com)

We reserve the right to change specifications without notice. Photos and illustrations do not always show standard versions of machines. The above information is a general description only, all information's are supplied without liability.



## TECHNICAL DATA

### DIMENSIONS

A. Wheelbase	78 in
B. Width	56 in
B3. Width, offset	2 in
C. Curb clearance	27 in
D. Drum diameter	35 in
H1. Height, with ROPS	112 in
H2. Height, w/o ROPS	80 in
K. Ground clearance	7.5 in
L. Length	111 in
O1. Overhang, right	2.46 in
O2. Overhang, left	2.46 in
R1. Turning radius, outside	170 in
R2. Turning radius, inside	119 in
S. Drum shell thickness	0.63 in
W1. Drum width	51 in
W2. Width, wheel module	50 in
W3. Width, tire	11.2 in
α. Steering angle	±30°

Find us locally at [www.dynapac.com](http://www.dynapac.com)

We reserve the right to change specifications without notice. Photos and illustrations do not always show standard versions of machines. The above information is a general description only, all information's are supplied without liability.