

## TECHNICAL DATA

### MASSES

Operating mass (incl. ROPS)	7150 kg
Operating mass (incl. Cab)	7300 kg
Module mass (front/rear)	3700 kg /3600 kg
Max. operating mass	7700 kg

### DIMENSIONS

Drum shell thickness	17 mm
----------------------	-------

### COMPACTION

Nominal amplitude (high/low)	1.8 mm/0.8 mm
Vibration frequency (high/low amplitude) SEISMIC available (values for manual mode)	32 Hz /36 Hz
Centrifugal force (high/low amplitude)	133 kN/72 kN

### TRACTION

Speed range (Dual/TC/AS)	8 /12 /12 km/h
Tyre size (8 ply)	14.9 x 24 TL
Max. theoretical gradeability	55 %
Vertical oscillation	±9°
Number of pads	132
Pad area	84 cm <sup>2</sup>
Pad height	76 mm

### ENGINE

Manufacturer/Model	Deutz TD3.6/DPF (V)
Type	Water cooled turbo Diesel
Rated power, ISO 14396	55 kW (75 hp) @ 2200 rpm
Fuel tank capacity	190 l

### ENGINE

Manufacturer/Model	Deutz TD3.6 L04 (IIIB/T4f)
Type	Water cooled turbo Diesel
Rated power, ISO 14396	55 kW (75 hp) @ 2200 rpm
Fuel tank capacity	190 l

### ENGINE

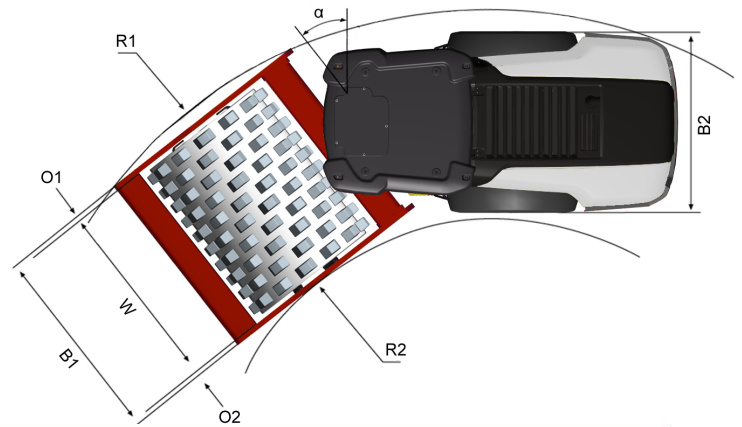
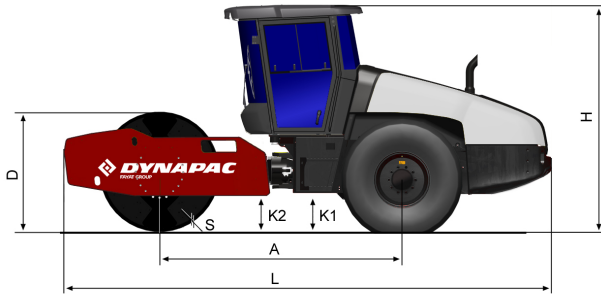
Manufacturer/Model	Cummins QSB3.3 (IIIA/T3)
Type	Water cooled turbo Diesel
Rated power, SAE J1995	82 kW (110 hp) @ 2200 rpm

### HYDRAULIC SYSTEM

Driving	Hydrostatic
Vibration	Hydrostatic
Steering	Hydrostatic
Service brake	Hydrostatic in forward and reverse lever.
Parking/ Emergency brake	Failsafe multidisc brake in drum gear box and in rear axle.

Find us locally at [www.dynapac.com](http://www.dynapac.com)

We reserve the right to change specifications without notice. Photos and illustrations do not always show standard versions of machines. The above information is a general description only, all information's are supplied without liability.



## DIMENSIONS

### DIMENSIONS

A. Wheelbase	2690 mm
B1. Width, front	1866 mm
B2. Width, rear	1700 mm
D. Drum diameter	1219 mm
H. Height, with ROPS/cab	2730 mm
K1. Ground clearance	330 mm
K2. Curb clearance	360 mm
L. Length	5280 mm
O1. Overhang, right	95 mm
O2. Overhang, left	95 mm
P. Pad height	76 mm
R1. Turning radius, outside	4800 mm
R2. Turning radius, inside	3100 mm
S. Drum shell thickness	17 mm
W. Drum width	1676 mm
α. Steering angle	±38°

### OPTIONAL EQUIPMENT

#### Air Conditioning /Automatic Climate Control (ACC) (Optional)

- The system contains fluorinated greenhouse gases.
- Coolant designation: HFC-134a
- Coolant weight when full: 1,35 kg
- CO<sub>2</sub>-equivalent: 1,930 ton
- GWP: 1430

Find us locally at [www.dynapac.com](http://www.dynapac.com)

We reserve the right to change specifications without notice. Photos and illustrations do not always show standard versions of machines. The above information is a general description only, all information's are supplied without liability.